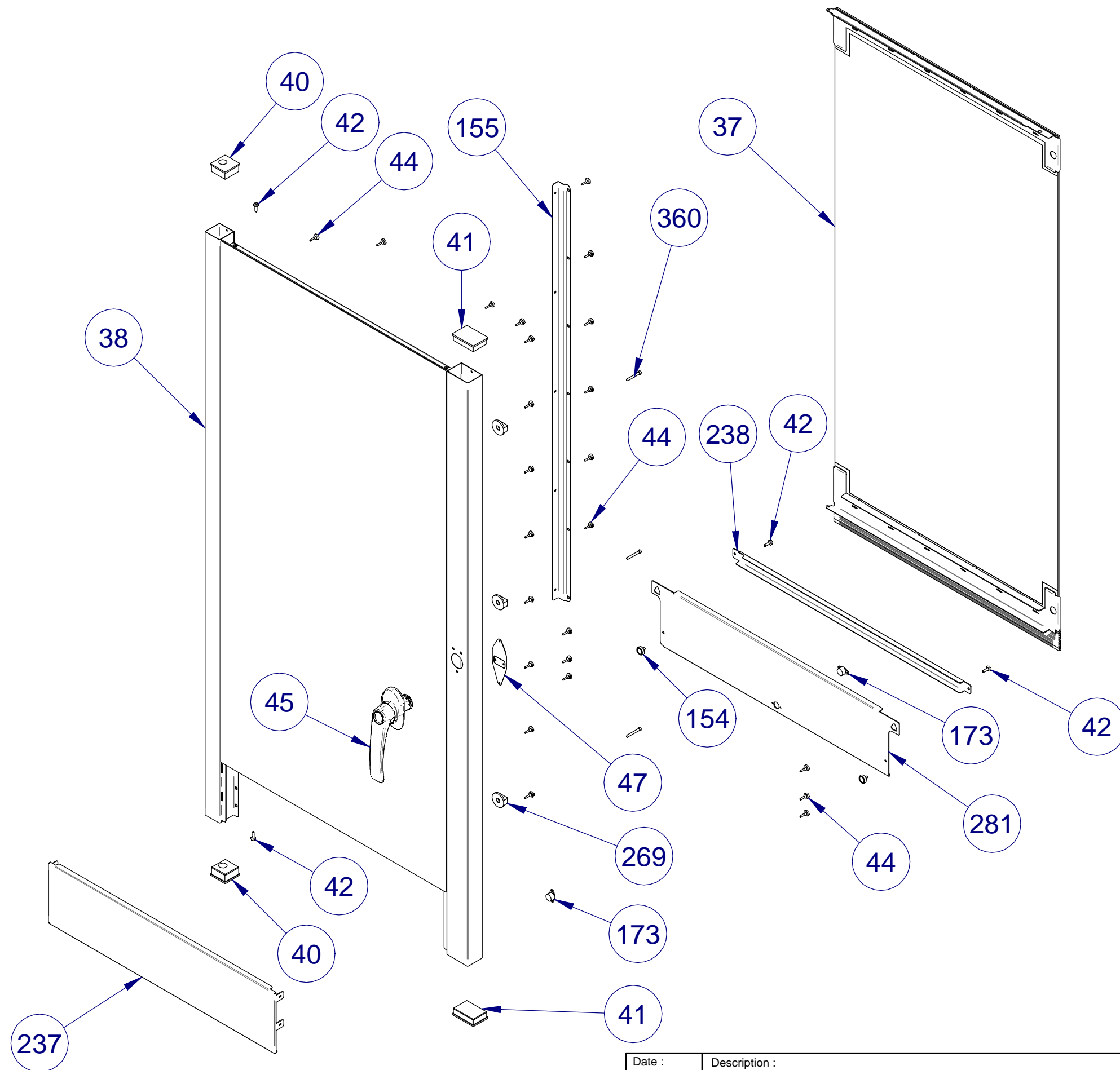


Date					Released:	Description :
Revision No	1	2	3	4	22/01/2021	
Drawing by:				Page No:	Filename:	
PREVEDELLO M.				Pag. 1 of 1		

Scale : 1:18  
 A3  
 mm



Scale :  
1:10

mm A3

Drawing by:  
PREVEDELLO M.

Date :  
22/01/2021

Model :

Description :  
**16-20-40 DOOR EXPLODED VIEW**

Name: