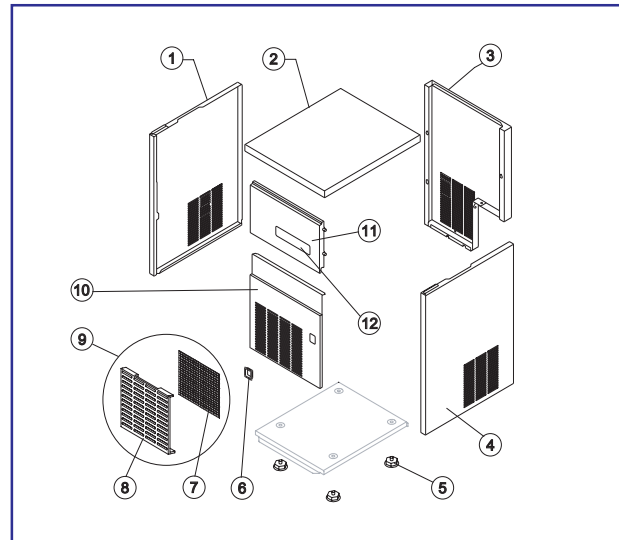


## LIST OF THE EXPLODED VIEWS

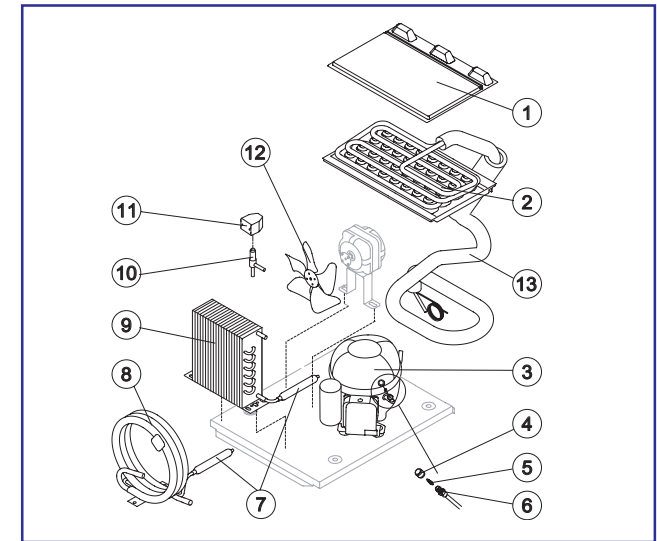
Rev. 1 - 27/03/2018



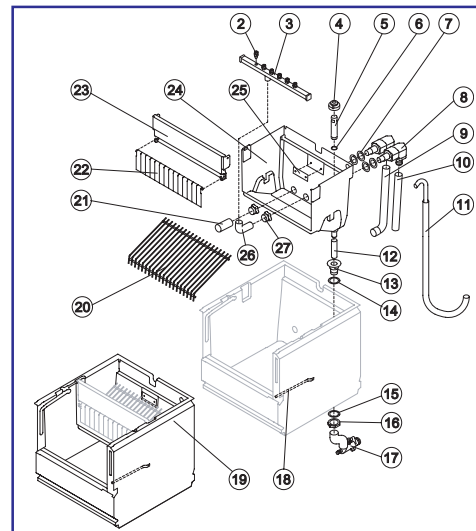
**SHELL ASSY**



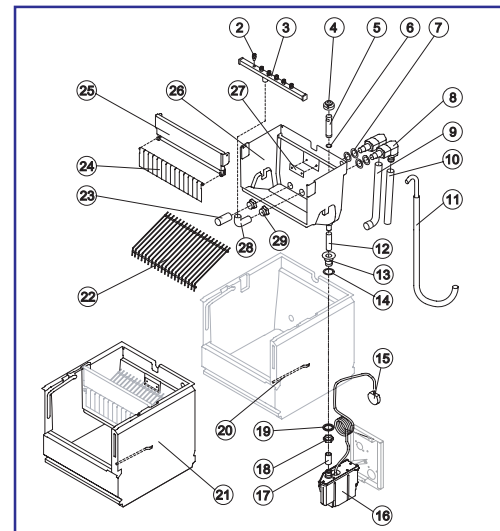
**COOLING SYSTEM**



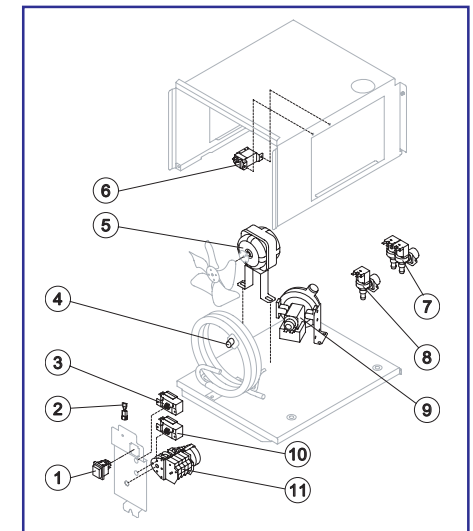
**HYDRAULIC CIRCUIT SL50A/W**



**HYDRAULIC CIRCUIT SL50A DP**

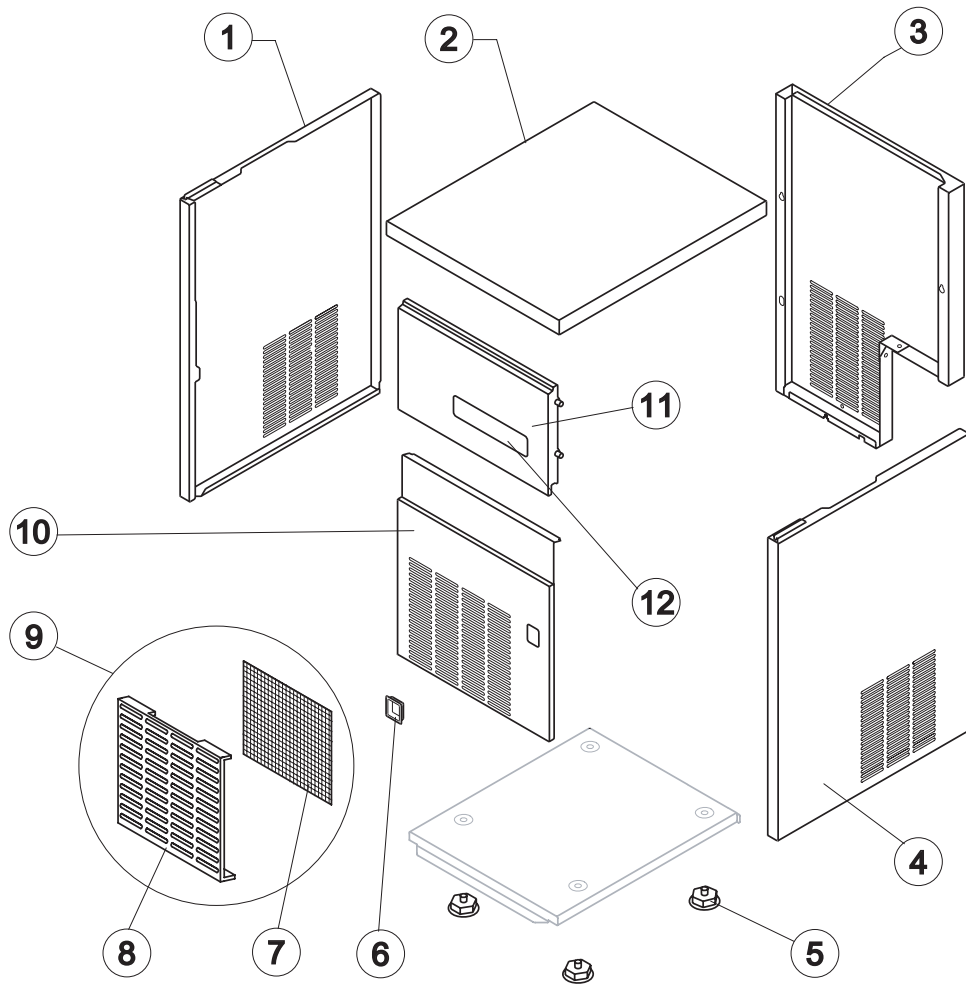


**ELECTRICAL PARTS**

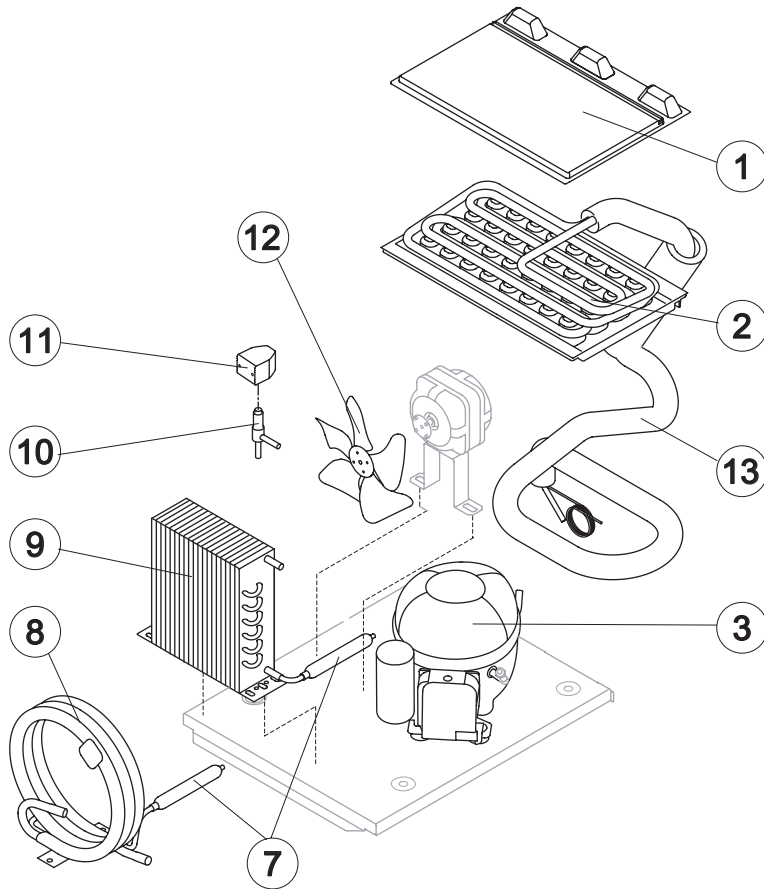


# SHELL ASSY

## SL 50A / SL 50W / SL 50A DP



Ref.	Spare Description	Code
1	Left Side Panel	221411
2	Top Assembly	C221374
3	Grey Rear Side Panel	C21408
4	Right Side Panel	221412
5	Foot	10557
6	On-Off switch Frame	10696
7	Filter	18243
8	Grid	10697
9	Grid Assembly	C10697
10	Front Panel	C221447
11	Door Assembly	C10358
12	Resinated Logo	241330



# COOLING SYSTEM

## Common Parts

Ref.	Spare Description	Code
1	Evaporator Cover Panel	10512
2	Evaporator Assy	See Table
3	Compressore	See Table
7*	Molecular Drier	14009
10*	Hot Gas Valve Body	20853
11*	Hot Gas Valve Coil	23854
12	Suction Fan	See Table
13	Suction Line	for the spare parts code give us the s/n.

## Parts for Air-Cooled Version Only

Ref.	Spare Description	Code
9	Air Condenser	20534

## Parts for Water-Cooled Version Only

Ref.	Spare Description	Code
8	Water Condenser	14057

### Ref. 2 - Evaporator

Kind of Cube	Code
17 g. (Standard)	D10045
32 g.	D10320
14 g.	D10416

### Ref. 3 - Compressor

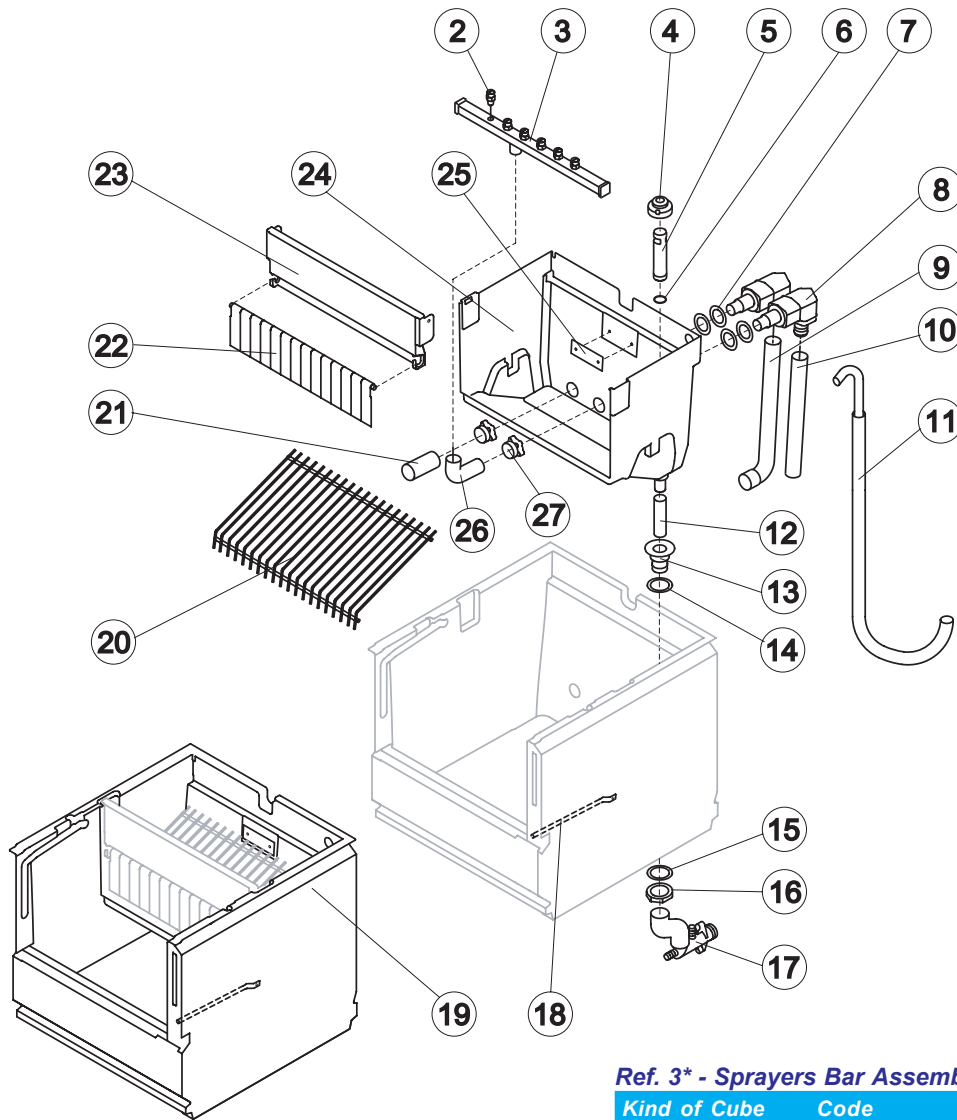
Voltage	Code
220/240V 50 Hz	23886
220/230V 60 Hz	23494A

### Ref. 12 - Suction Fan

Voltage	Air	Water
220/240V 50 Hz	20096	10213
220/230V 60 Hz	20095	10213

# HYDRAULIC CIRCUIT

## SL 50A / SL 50W



### Common Parts

Ref.	Spare Description	Code
2	Sprayer	D20002
3*	Sprayers Bar Assembly	See Table
4*	Overflow Cap	10305
5*	Overflow Pipe	10133
6*	OR Gasket for Overflow Pipe	20233
7	Gasket for Pump Suction/Delivery Pipes	13220
8	Insulated Pump Suction/Delivery Fitting	C10653
9	Insulated Pump Suction Pipe	C13171
10	Insulated Pump Delivery Pipe	C13175230
11*	Water Supply Pipe to the Evaporator	C13127
12*	Overflow Pipe	13105
13	Water Outlet Nipple	10472
14	Silicone Gasket	13219
15	Semirigid Polyethylene Gasket	13007
16	Bin Discharge Nut	10096
18	Bulbe-holder Pipe	20520
19	Complete Basin Assembly	C11175
20*	Ice Cubes Slide	See Table
21*	Pump Suction Filter	20005
22	Rod with Flags	10533
23	Flags ABS Support	10529
24	Inner Basin	10252
25	Slide Keep Plate	10009
26	Sprayers Feeding Pipe	13005
27	Fittings Locking Ring	10654

### Ref. 3\* - Sprayers Bar Assembly

Kind of Cube	Code
17 g. (Standard)	C201062
32 g.	C201089
14 g.	C201071

### Ref. 20\* - Ice Cubes Slide

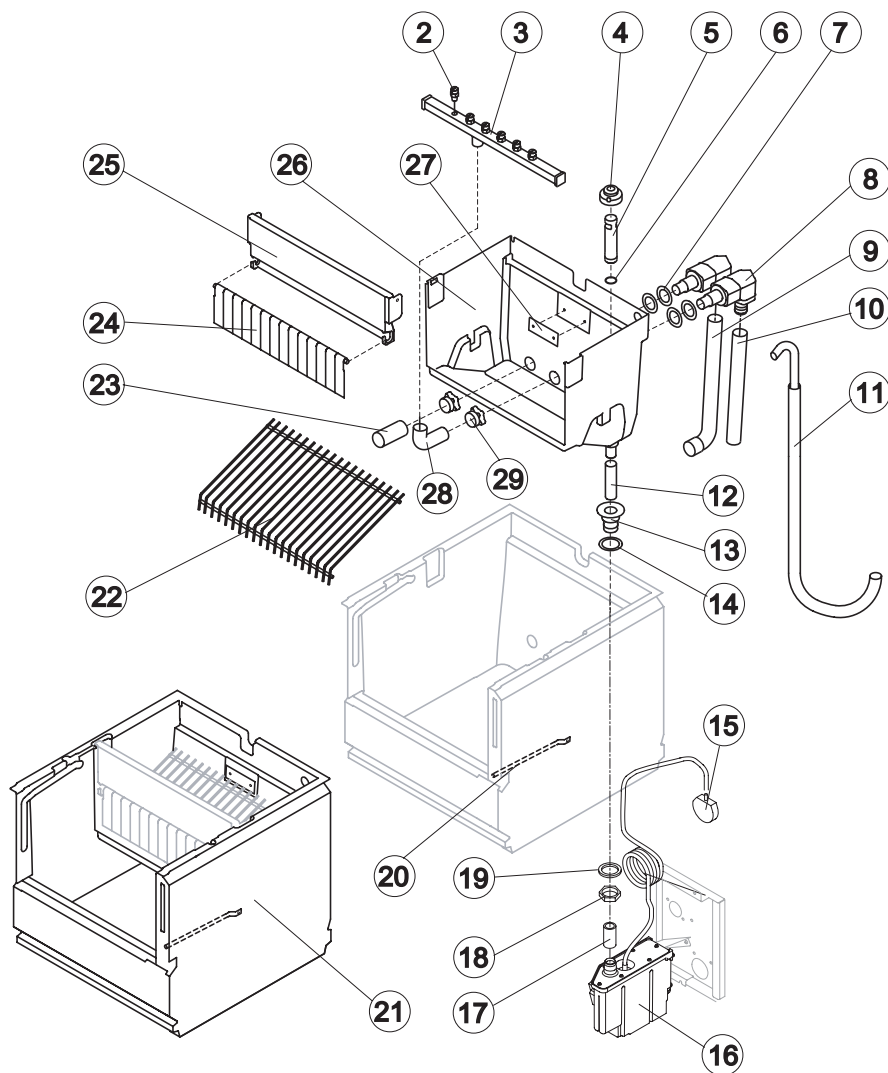
Kind of Cube	Code
17 g. (Standard)	D12001
32 g.	D12066
14 g.	D12046

### Parts for Air-Cooled Version Only

Ref.	Spare Description	Code
17	Discharges Manifold	C10006

### Parts for Water-Cooled Version Only

Ref.	Spare Description	Code
17	Discharges Manifold	C26452



# HYDRAULIC CIRCUIT

## SL 50A DP

### Common Parts

Ref.	Spare Description	Code
2	Sprayer	D20002
3*	Sprayers Bar Assembly	See Table
4*	Overflow Cap	10305
5*	Overflow Pipe	10133
6*	OR Gasket for Overflow Pipe	20233
7	Gasket for Pump Suction/Delivery Pipes	13220
8	Insulated Pump Suction/Delivery Fitting	C10653
9	Insulated Pump Suction Pipe	C13171
10	Insulated Pump Delivery Pipe	C13175230
11*	Water Supply Pipe to the Evaporator	C13127
12*	Overflow Pipe	13105
13	Water Outlet Nipple	10472
14	Silicone Gasket	13219
15	Drain Pump Pressure Switch	C231230
16	Drain Pump	RC231225
17	Bin Discharge-Drain Pump Connection	C13175080
18	Bin Discharge Nut	10096
19	Semirigid Polyethylene Gasket	13007
20	Bulbe-holder Pipe	20520
21	Complete Basin Assembly	C11175
22*	Ice Cubes Slide	See Table
23*	Pump Suction Filter	20005
24	Rod with Flags	10533
25	Flags ABS Support	10529
25	Inner Basin	10252
27	Slide Keep Plate	10009
28	Sprayers Feeding Pipe	13005
29	Fittings Locking Ring	10654

### Ref. 3\* - Sprayers Bar Assembly

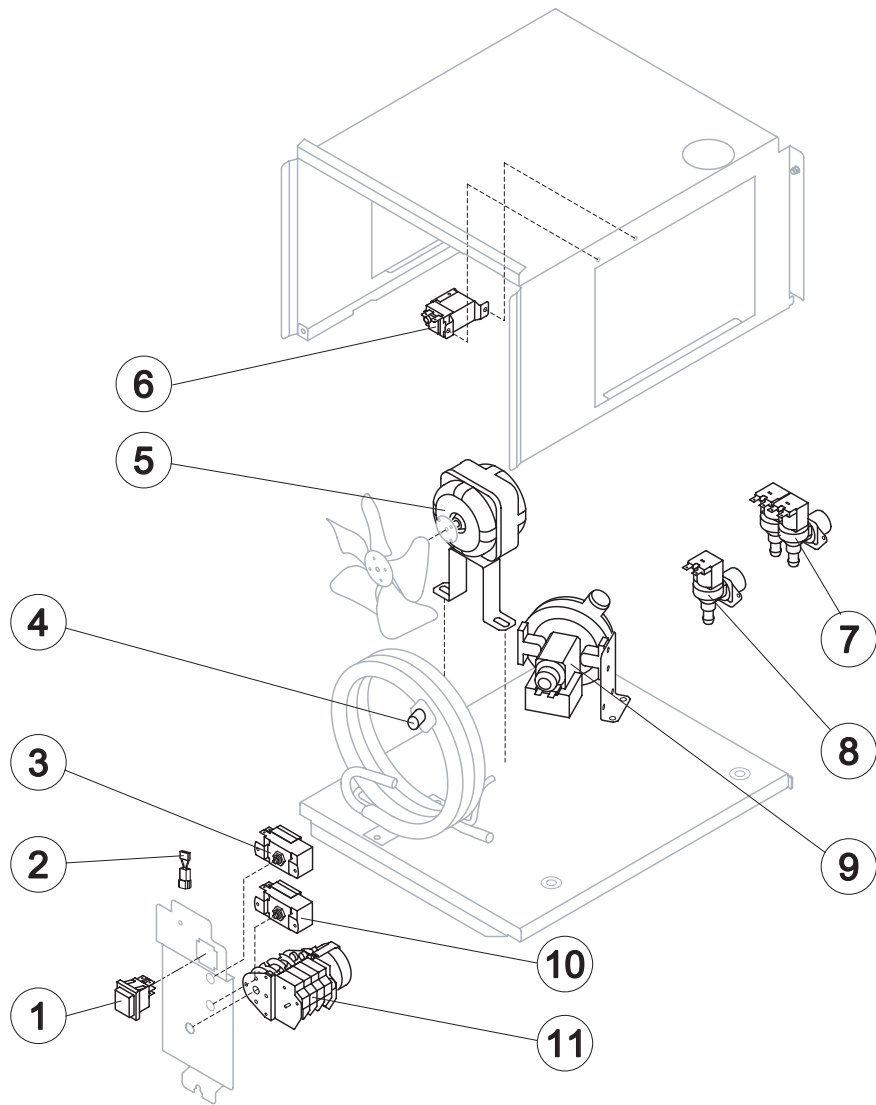
Kind of Cube	Code
17 g. (Standard)	C201062
14 g.	C201071

### Ref. 20\* - Ice Cubes Slide

Kind of Cube	Code
17 g. (Standard)	D12001
14 g.	D12046

# ELECTRIC PARTS

## SL 50A / SL 50W / SL 50A DP



### Common Parts

Ref.	Spare Description	Code
1*	Green Light Switch (On-Off)	23327
3*	Bin Thermostat	R23005
9*	Pump Assembly	See Table
10*	Evaporator Thermostat	R23591
11*	Timer	See Table

### Parts for Air-Cooled Version Only

Ref.	Spare Description	Code
5*	Fan Motor	231041
8*	1 Way- Water Inlet Valve	23497

### Parts for Water-Cooled Version Only

Ref.	Spare Description	Code
2	Anti Radio Interference Filter	Only 220V 50 Hz C23458
4*	Safety Thermostat	C23114
5*	Fan Motor	23029
6*	Condenser Pressure Switch	23175
7*	2 Ways- Water Inlet Valve	23542

### Ref. 9\* - Pump Assembly

Voltage	Code
220/240V 50Hz	C231016
220/230V 60Hz	C231046

### Ref. 11\* - Timer

Voltage	Cube 17g	Cube 32g	Cube 14g
220/240V 50 Hz	23222	23248	23247
220/230V 60 Hz	231078	231080	231077