

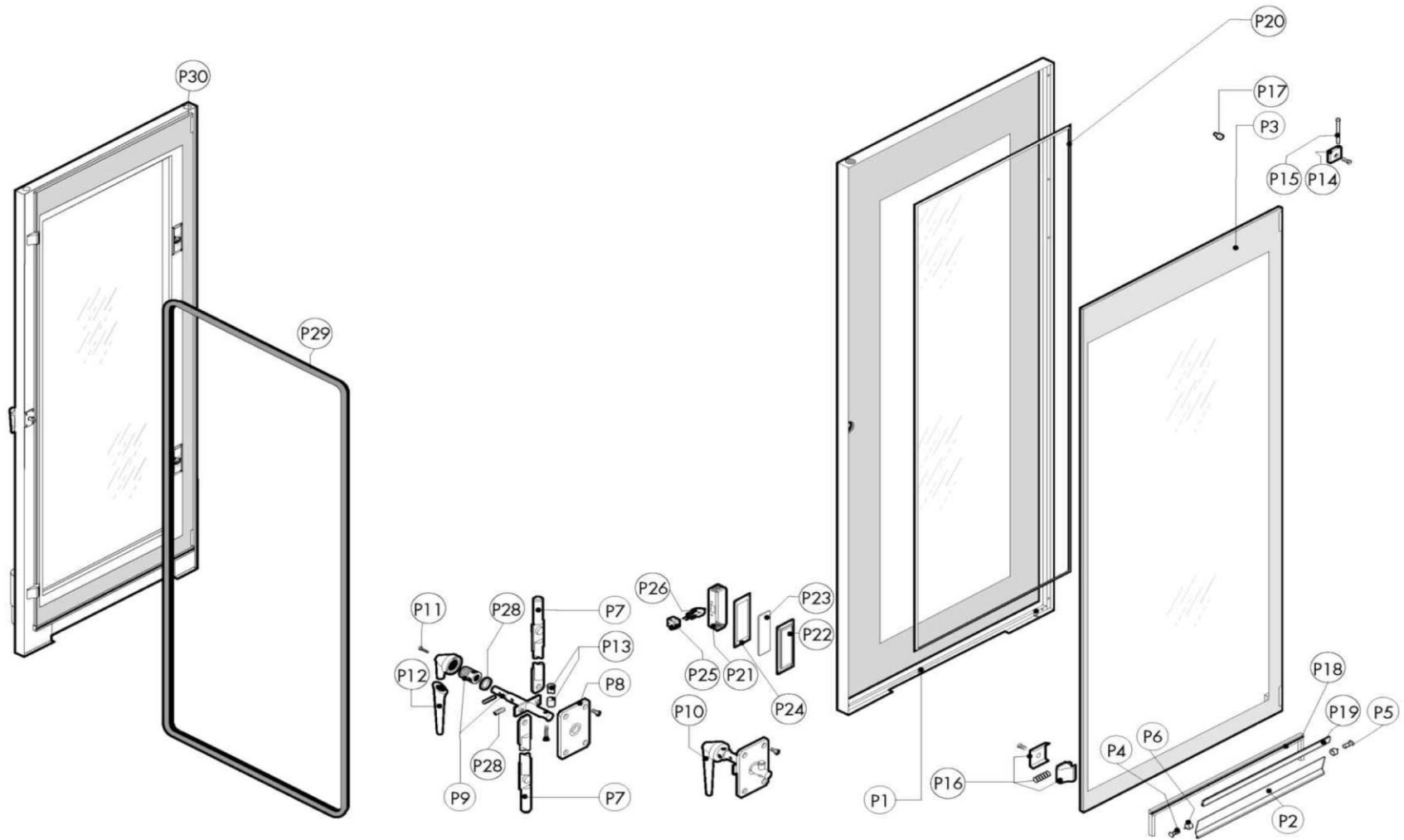
Warning! The exploded views refer to the general model

TAV.A ed.0216

Pos.	Code	Previous code	Description	Notes	From:	To:	Price ()
0001	LA70010370	LAR70010370	GASKET [C]				
0002	LAR11205390		LOWER HINGE KIT [C] M-V/201-202				
0003	LAR10201710		FILTER [C] D.86/44.5 M/210-12				
0004	LA62070023	LAR62070023	BICONE [C] D. 6				
0005	LA11426830	LAR11401410	UPPER HINGE [C] DOOR SR.2013				
0006	LAR58002540		KEY [C] FOR PIN DOOR M-V/120-22				
0007	LAR65260752		CONTACT [C] LIGHTS SR.2014				
0008	LA65240040	LAR65240040	LOCK NUT [C] FOR CONNECTION 107 Z/29				
0009	LA58003850	LAR58003850	COUNTER FLANGE [C] LARGE				
0010	LA62280038	LAR62280038	CURVE [C] D.50 D.50X				
0011	LA58004050	LAR58004050	NUT [C] FOR HINGE PIN M/106-220				
0012	LA62060223	LAR62060223	NUT [C] D. 6				
0013	LA65110200	LAR65110200	SOLENOID VALVE [C] 220V 50HZ 1 WAY				
0014	LAR65110240		SOLENOID VALVE [C] 220V 50HZ 2P+1D 3 WAYS				
0015	LA61630011	LAR61630011	ZINC CLAMP [C] 12-22/9				
0016	LAR61630031		ZINC CLAMP [C] 40-60/9				
0017	LAR65280490		FERRITE [C] FT36				
0018	LA65280200	LAR65280200	FILTER [C] Cx=0,47Å F Cy=2X10nF				
0019	LA58003840	LAR58003840	FLANGE [C]				
0020	LA70020050	LAR70020050	GASKET [C]				
0021	LA70010210	LAR70010210	GASKET [C] 18,72X2,62				
0022	LA70010030	LAR70010030	GASKET [C] 6,07X1,78				
0023	LA70050150	LAR70050150	GASKET [C] BOILER CAP				
0024	LAR70010050		GASKET [C] 7,60X2,62				
0025	LA70030190	LAR70010120	GASKET [C] 90X90X3				
0026	LAR70060080		COUPLING [C] D. 13X18X80				
0027	LA70060040	LAR70060040	COUPLING [C] D. INT 51 D. EXT 59				
0028	LA70060050	LAR70060050	COUPLING [C] D. 60				
0029	LA62030113	LAR62030113	COUPLING [C] FF 1/8-1/4 BRASS				
0030	LAR10457840		HANDLE [C] TROLLEY KS/021-040				
0031	LA75300070	LAR75300070	PLATE [C] FAN D.350 N/S101 2014				
0032	LAR65265100		MICROSWITCH [C]				
0033	LA61620091	LAR61620091	SPRING [C] D.14/6,4X0,8 C70				
0034	LAR65220310		MORSETTIERA LX5N(TIPO 5)NEW C/ TERRA PASS				
0036	LA58002550	LAR58002550	SLIDING BLOCK [C] M-V/120-220				

Pos.	Code	Previous code	Description	Notes	From:	To:	Price ()
0037	LA58003140	LAR58003140	PIN [C]				
0038	LAR58003110		PIN [C]				
0039	LA58002150	LAR58002150	PIN [C]				
0040	LA65210020	LAR65210020	FUSE CARRIER [C] 5X20				
0041	LAR65240010		FAIRLEAD [C] PG 107 Z/1				
0041	SIR0101302		PRESSACAVO	UL Version (USA-CAN)			
0042	LA58002560	LAR58002560	CATCH [C] DOOR M-V/120- 220				
0042	LAR65040520		MOTOR [C] 200/440V 0,55/0,15KW F3 4-6P	(2 Speed)			
0042	LAR65040530		MOTOR [C] 200/440V 0,55KW F3 4P	(1 Speed)			
0043	LAR63070050		PRESSURE SWITCH [C] 1/8 0,5-0,35 BAR				
0044	LAR65095000	LAR65090220	MOTOR [C] VENTING				
0045	LA62090918	LAR62090918	CONNECTOR [C] D.10				
0046	LA62090478	LAR62090478	CONNECTOR [C] D.10				
0047	LAR62090508		CONNECTOR [C]				
0048	LA65110520	LAR65110520	REGULATOR [C] GREEN ALPHATECH 22LT/H				
0049	LA65011330	LAR65011330	HEATING ELEMENT [C] 15000W277V CAM-VE/110	UL Version 277V (USA- CAN 3AC 480V)			
0049	LAR65011300		HEATING ELEMENT [C] 15000W208V CHAMBER	UL Version 208V (USA- CAN)			
0049	LAR65011310		HEATING ELEMENT [C] 15000W230V CHAMBER				
0049	LAR65011320		HEATING ELEMENT [C] 15000W254V CAM-VE/110	Marine Version 254V (3AC 440V)			
0050	LAR65011250		HEATING ELEMENT [C] 15000W230V CAM/VE 210				
0050	LAR65011260		RESISTENZA CAMERA 15000W277V	UL Version 277V (USA- CAN 3AC 480V)			
0050	LAR65011270		HEATING ELEMENT [C] 15000W208V VE/210	UL Version 208V (USA- CAN)			
0051	LA58004010	LAR58004010	WASHER [C] D. 30/12,5				
0052	LA58002570	LAR58002570	WASHER [C] 15X3				
0053	LA69090360	LAR69090360	CASTOR [C] D. 100				
0054	LA69090350	LAR69090350	CASTOR [C] D. 100				
0055	LAR65320220		PROBE [C] K 6X80 1,5ML				
0056	LA65160810	LAR65160810	SUPP.TERMICO 3RU2916-3AA01				
0057	LA65321370	LAR65321370	CAP [C] SA 2014				
0058	LAR58006690		CAP [C] SERIE 2014				
0059	LA65140900		SWITCH [C]				

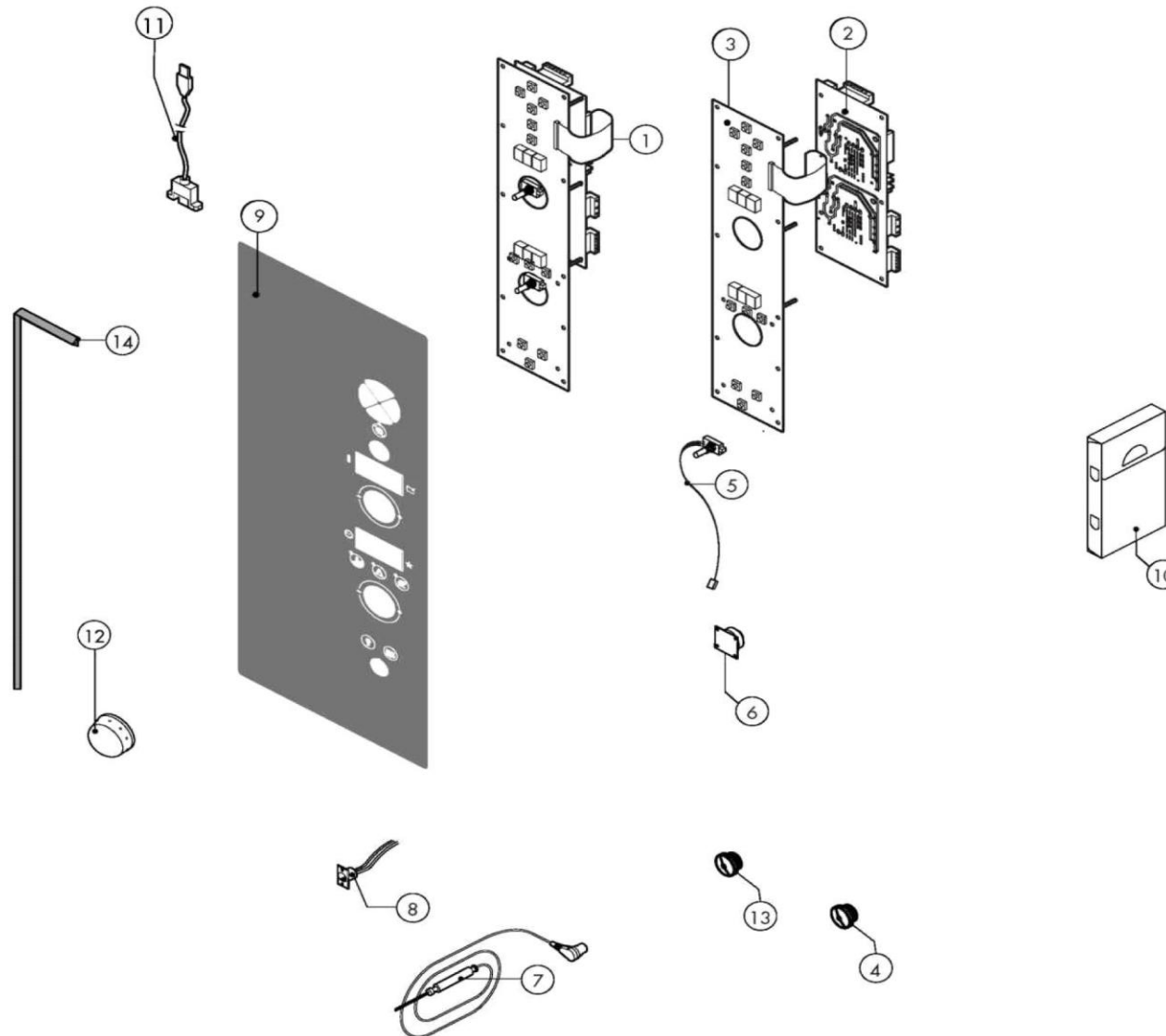
Pos.	Code	Previous code	Description	Notes	From:	To:	Price ()
0060	LA65140910	LAR65140910	SWITCH [C]				
0061	LA65160880	LAR65160880	HEAT-GUARD [C] 1,4-2,0				
0062	LA65070350	LAR65070350	THERMOSTAT [C] 360Å°C				
0062	LA65070370	LAR65070370	THERMOSTAT [C] 360Å°C	UL Version (USA-CAN)			
0063	LA65180420	LAR65180420	TRANSFORMER [C] 20VA				
0064	LA65180430	LAR65180430	TRANSFORMER [C] 40VA				
0064	LA65187110	LAR65187110	TRANSFORMER [C] 40VA	UL Version (USA-CAN)			
0065	LA80150060	LAR80150060	PIPE [C]				
0067	LA58006160	LAR58006160	NOZZLE [C] D. 0,80				
0068	LA65060050	LAR65060050	FAN [R] D. 120				
0069	LA75400440	LAR75400440	FAN [C] D. 350X114 50HZ	50Hz			
0069	LA75400471	LAR75400471	FAN [C] D. 350X114 60HZ	60Hz			
0070	LA58004000	LAR58004000	SCREW [C] M12X1.5				
0071	LA61020562	LAR61020562	SCREW [C] M6X55 UNI 5737				
0072	LAR61260152		VITE				
0073	LAR58000430		VITE ES. 15x8 AISI 303 DF.M8				



Warning! The exploded views refer to the general model

TAV.B ed.0216

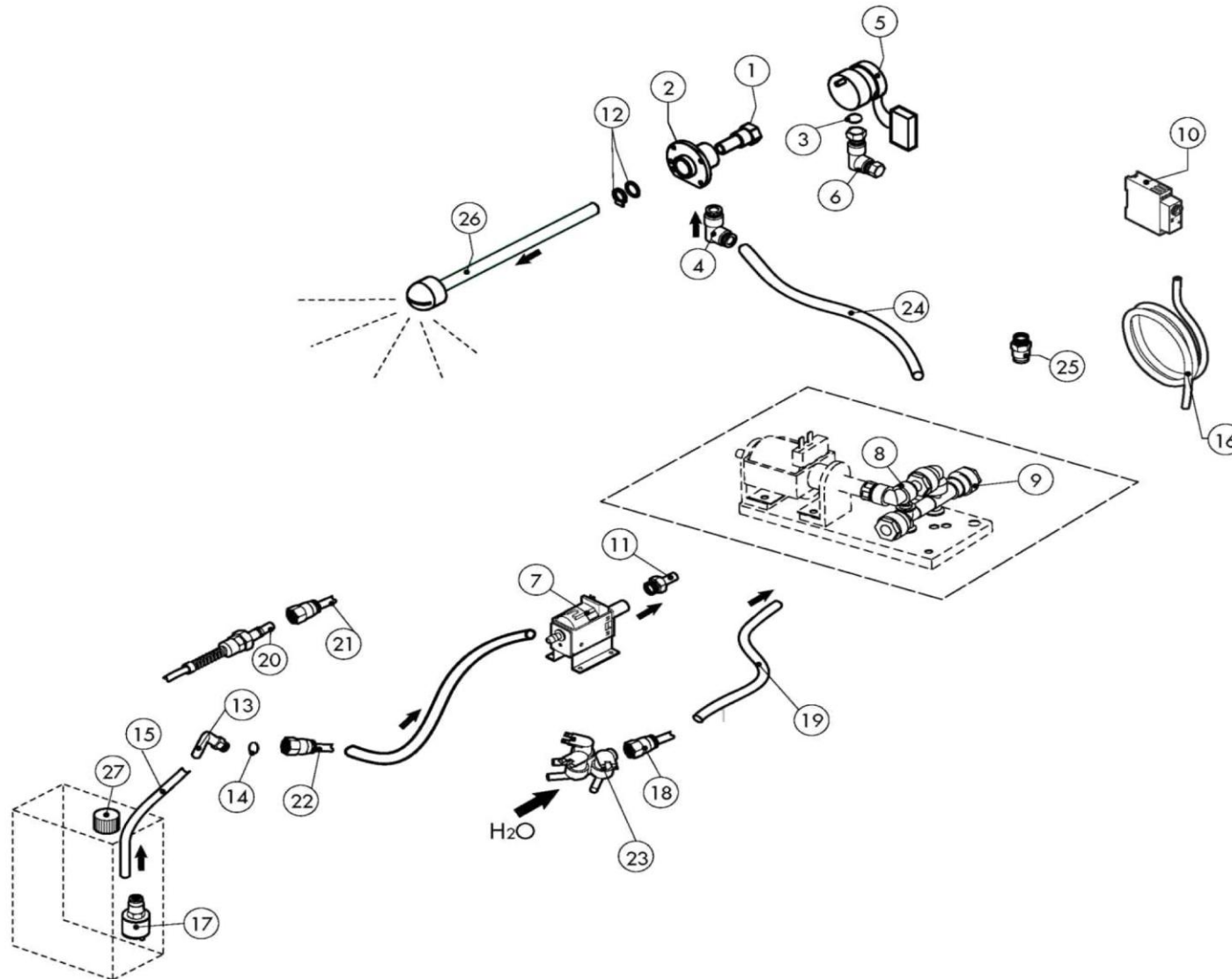
Pos.	Code	Previous code	Description	Notes	From:	To:	Price ()
00P1	LAR14201170		DOOR [C] NA/SA_202				
00P2	LAR11437930		CLOSING PLATE [C] K_202				
00P3	LAR71201870		GLASS PLATE [C]				
00P4	LAR58006861		CLOSING PLATE ROTATION PIVOT [C]				
00P5	LA58006910	LAR58006910	CLOSING PLATE ROTATION PIVOT [C]				
00P6	LAR65491250		SPRING [C]				
00P7	LA11207670	LAR11207670	ROD [C] K_201-202				
00P8	LA03200970	LAR03200970	FLANGE [C]				
00P9	LAR11205340		PIN [C] HANDLE M-V/201-202				
0P10	LAR11100312		LOCK [C]				
0P11	LAR69010710		TAPPO MAN. GRIGIA GR.6303 C/ANELLO CROM.				
0P12	LA69010820	LAR69010820	HANDLE [C] GREY				
0P13	LAR58004781		HOOK [C]				
0P14	LA58001760	LAR58001760	HINGE [C] GLASS SR2000				
0P15	LA58001770	LAR58001770	PIN [C]				
0P16	LAR58001780		CATCH [C] DOOR P2000				
0P17	LAR70050180		SPACER [C] GLASS 15x8 M4x12 A2				
0P18	LAR70044360	LAR70044362	GASKET [C] H_201-202				
0P19	LA80100910	LAR80100910	PROFILE [C]				
0P20	LAR80100100		PROFILE [C]				
0P21	LA11401440	LAR11401440	LAMP COVER [C]				
0P22	LA11401450	LAR11401450	FLANGE [C]				
0P23	LA71500150	LAR71500150	GLASS PLATE [C] P2000				
0P24	LA70044200	LAR70044200	GASKET [C]				
0P25	LA65270450	LAR65270450	LAMP HOLDER [C]				
0P26	LA65270020	LAR65270020	BULB [C] 12V 20W G4				
0P28	LA61600031	LAR61600031	GASKET [C] D.3,2 UNI 7434				
0P29	LA70044922	LAR70044920	GASKET [C] DOOR K_202 2017				
0P30	LAR14173440		PORTA COMPLETA L_202				



Warning! The exploded views refer to the general model

TAV.C ed.0216

Pos.	Code	Previous code	Description	Notes	From:	To:	Price ()
0001	LAR65302100		BOARD [C] S 2009				
0002	LA65302250	LAR65302250	BOARD [C] S 2009				
0003	LA65302240	LAR65302240	KEYBOARD [C] S 2009				
0004	LA65321330	LAR65321330	CAP [C] N/S 2014				
0005	LA65301941	LAR65301940	ENCODER [C] S COMPACT 2009 SANDWICH				
0006	LA65302450	LAR65301960	BOARD [C] BUZZER S				
0007	LA65321102	LAR65321100	PROBE [C] K 4P 6 PIN IMP.2012				
0008	LA65321360	LAR65321360	CONNECTOR [C] L1000 FEMALE TO CORE PROBE 6 PINS				
0010	LAR86020400		VALIGETTA X SONDA AL CUORE TRASPARENTE				
0011	LA65302600	LAR65302600	CABLE [C] CARD SWITCH CONNECTION USB 90° L=850				
0012	LA69030260	LAR69030260	KNOB [C] ENCODE D.42				
0012	LA69030370	LAR69030370	MANOPOLA ENCODER D.60				
0013	LA65321310	LAR65321310	CAP [C]				



Warning! The exploded views refer to the general model

TAV.D ed.0216

Pos.	Code	Previous code	Description	Notes	From:	To:	Price ()
0001	LAR58007000		PIN [C]				
0002	LAR58007020		FLANGE [C]				
0003	LA70010080	LAR70010080	GASKET [C] OR 14x2 VITON DIN 981				
0004	LA62090663	LAR62090663	CONNECTOR [C] 10X1/4				
0005	LAR65090250		GEARMOTOR [C]				
0006	LA62090633	LAR62090633	CONNECTOR [C] 10/10				
0007	LAR65110600		PUMP [C]				
0008	LA62090498	LAR62090498	CONNECTOR [C] D.8				
0009	LA62090888	LAR62090888	MANIFOLD [C] 3WAYS-2D.10+1D.8+3 NO RETURN CONTROL				
0010	LA65090480	LAR65090480	TIMER [C]				
0011	LA62090608	LAR62090608	END SIDE PIPE [C] 8x1/8				
0012	LAR70045120		GASKET [C]				
0013	LA62090678	LAR62090678	ELBOW [C] Å, 8-Å, 8				
0014	LAR70010050		GASKET [C] 7,60X2,62				
0015	LA80150020	LAR80150020	PIPE [C]				
0016	LA80150040	LAR70070080	PIPE [C]				
0017	LA65110650	LAR65110650	VALVE [C]				
0018	LA62020118	LAR62020118	NIPPLE [C] 1/4				
0019	LA80120060	LAR80120060	PIPE [C]				
0020	LA62090482	LAR62090482	CONNECTOR [C]				
0021	LAR62090638		CONNECTOR [C]				
0023	LAR65110280		SOLENOID VALVE [C] 220V 50HZ 3 WAYS				
0024	LA80150000	LAR80150000	PIPE [C]				
0025	LA62090688	LAR62090688	CONNECTOR [C]				
0026	LAR58007030		WASHING HEAD [C] L=165 (2/1)				
0027	LA58005060	LAR58005060	CAP [C]				

