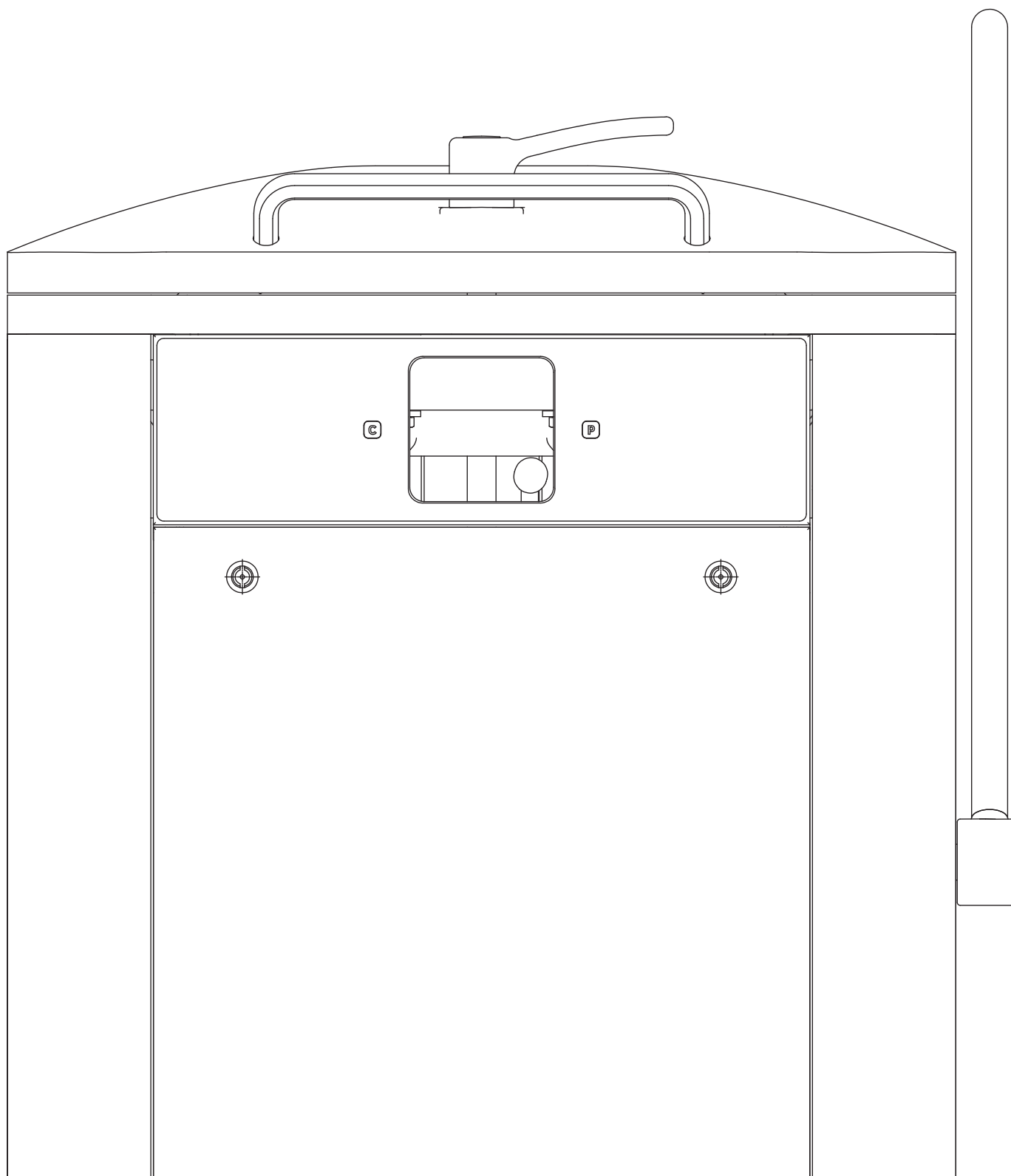


SPARE PARTS

---

# MANUAL DIVIDERS

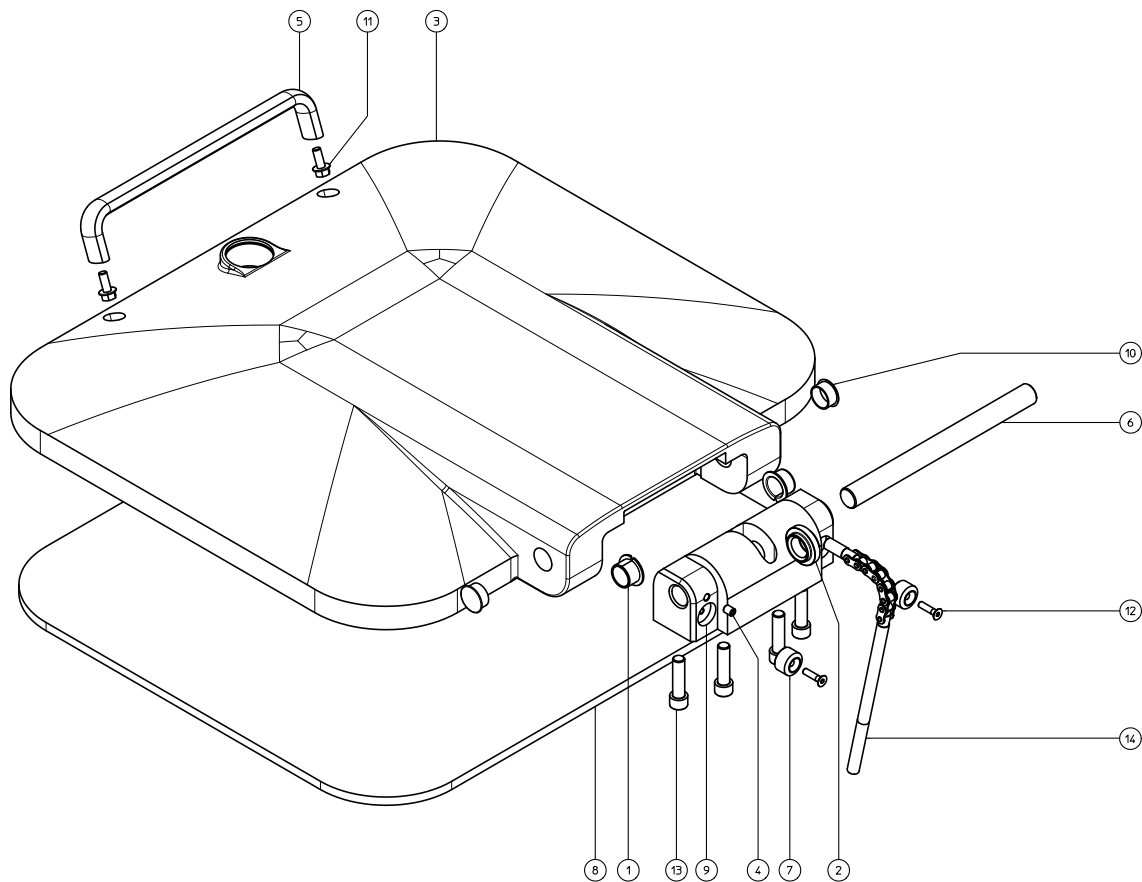
---



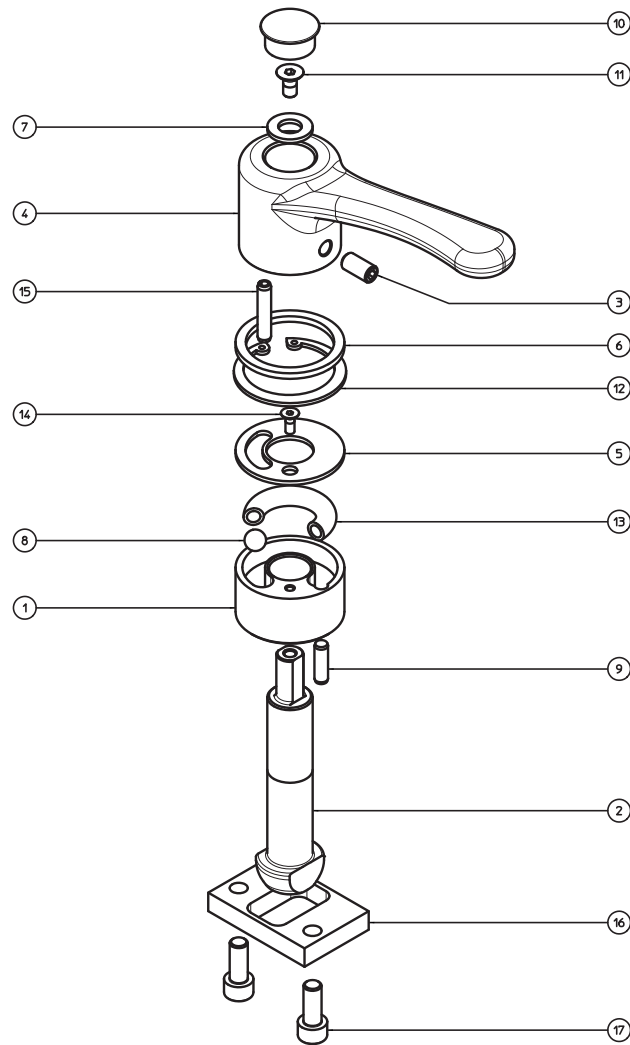


- 4** COVER GROUP
- 5** COVER LID
- 6** COVER BALANCING
- 7** FRAME
- 8** CASING GROUP
- 9** PRESSED SUPPORT GROUP
- 10** 20s/10s KNIFE SUPPORT PLATE GROUP
  - 11** RECTANGULAR SMALL BASIN GROUP
  - 12** 20s DIVISIONS KNIFE GROUP
  - 13** 10s DIVISIONS KNIFE GROUP
- 14** 37/57 KNIFE SUPPORT PLATE GROUP
  - 15** 37/57 EXAGONAL BASIN GROUP
  - 16** 37/57 DIVISIONS KNIFE GROUP
  - 17** 37/65 EXAGONAL BASIN GROUP
  - 18** 37/65 DIVISIONS KNIFE GROUP
- 19** 19/85 KNIFE SUPPORT PLATE GROUP
  - 20** 19/85 EXAGONAL BASIN GROUP
  - 21** 19/85 DIVISIONS KNIFE GROUP
- 22** 20s KNIFE SUPPORT PLATE GROUP
  - 23** ROUND BASIN GROUP
  - 24** 20s DIVISIONS KNIFE GROUP

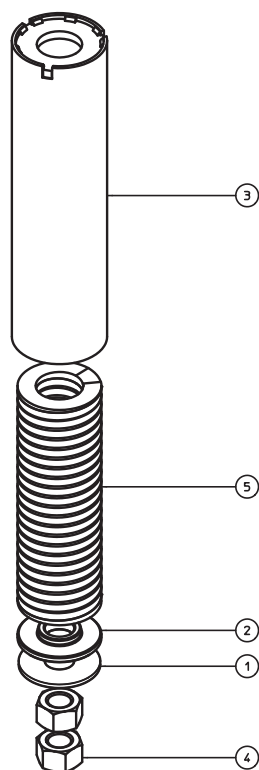
**COVER GROUP COD. CP000005**



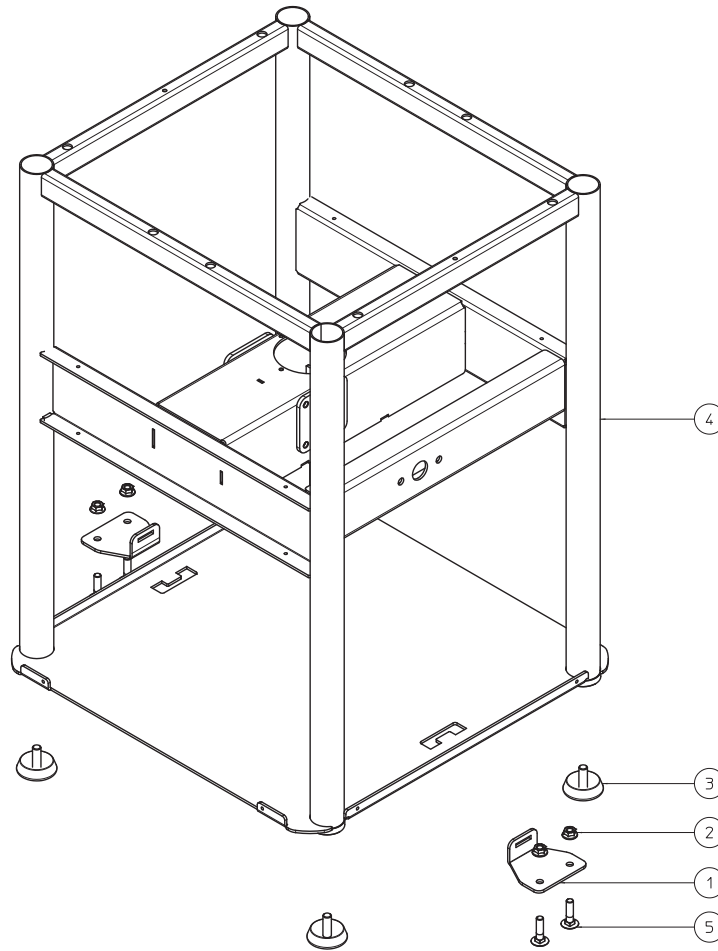
POSITION	QUANTITY	CODE	DESCRIPTION
1	2	18072216	LATCH INSERT KF 22 15
2	1	33800031	CHAIN GUIDE
3	1	35050004	COVER
4	1	37010810	SCREW M8X10
5	1	43712630	HANDLE COVER
6	1	49410030	COVER PIN
7	2	50850029	STOPPER
8	1	50850039	COVER PLATE
9	1	61900041	LID SUPPORT
10	2	64920008	PLUG
11	2	69210820	SCREW M8X20 ZINC.
12	2	69270625	SCREW M6X25 INOX
13	4	69161245	SCREW M12X45 ZINC.
14	1	18100005	BALANCE CHAIN



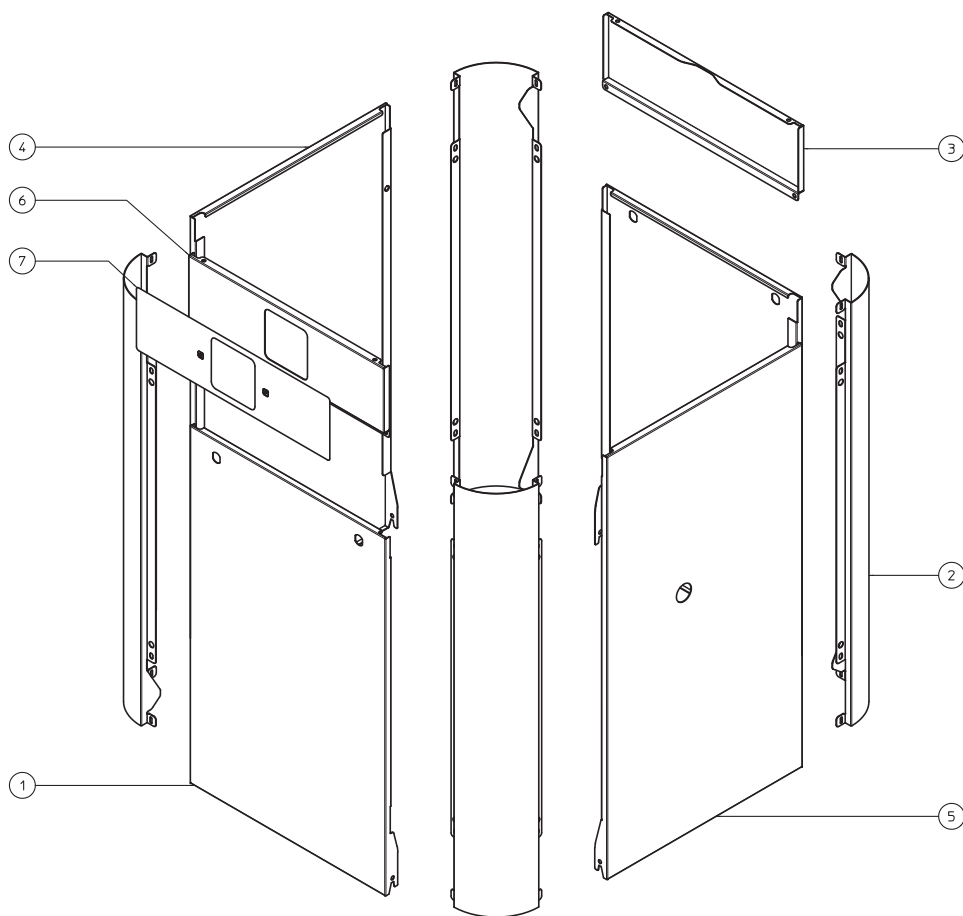
POSITION	QUANTITY	CODE	DESCRIPTION
1	1	17910008	LATCH LID COVER
2	1	35440011	LID COVER
3	1	37040815	SCREW M08X16
4	1	43700006	LID HANDLE
5	1	58910008	WASHER LID COVER
6	1	58920004	WASHER HANDLE COVER
7	1	59151020	WASHER D. 10 ZINC.
8	1	61610002	BALL D. 9,52
9	1	63030620	RECTIFIED PLUG D.6X20
10	1	64920002	PLUG
11	1	69240612	SCREW M6X12 ZINC.
12	1	14120047	SEEGER RING D.47
13	1	44820027	COMPRESSION SPRING C027
14	1	69270410	SCREW M4X10 INOX
15	1	63080630	PLUG D.6X30
16	1	49660018	HOOK CONNECTION
17	2	69160820	SCREW M8X20 ZINC.



POSITION	QUANTITY	CODE	DESCRIPTION
1	1	59091236	WASHER D12X36 SP. 2 ZINC.
2	1	58920002	LOWER BALANCING WASHER
3	1	66880053	PIPE
4	2	30131201	NUT M12 ZINC.
5	1	44873818	BLU SPRING D38X180

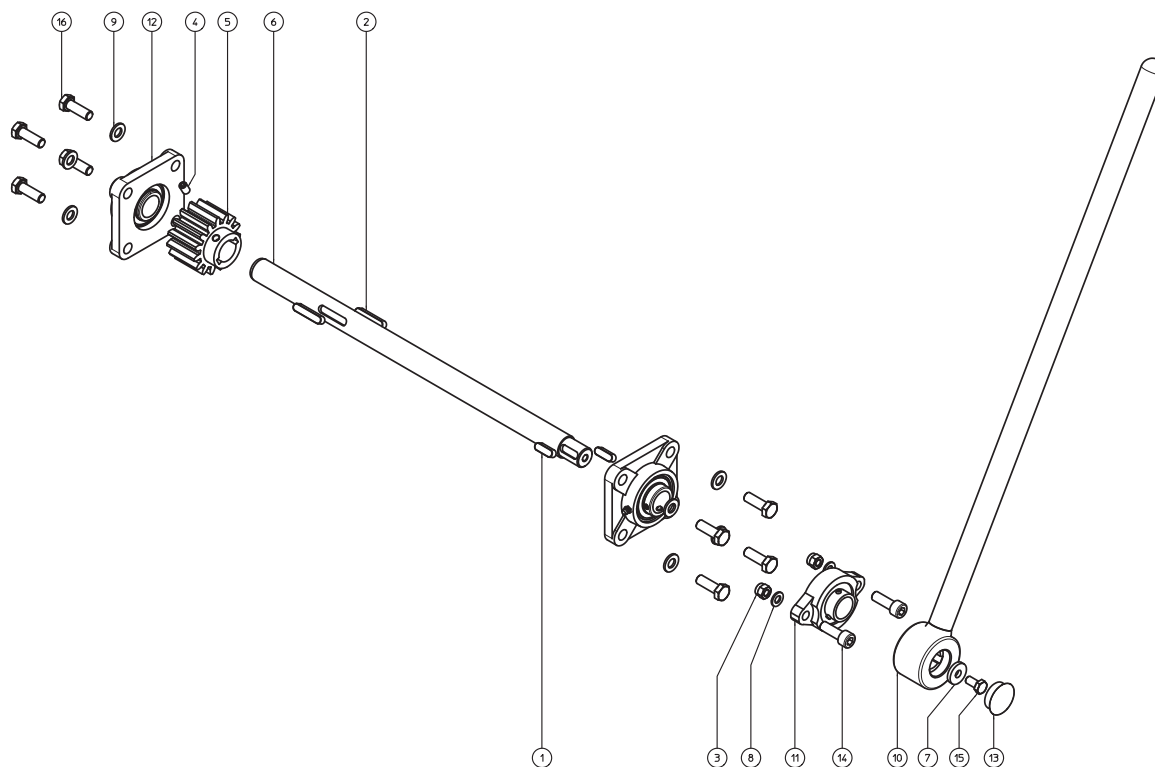


POSITION	QUANTITY	CODE	DESCRIPTION
1	2	20120226	MOUNTING BRACKET
2	4	30211001	NUT M10 ZINC.
3	4	50050202	FIXED FEET
4	1	60010044	FRAME
5	4	69251040	SCREW M10X40 ZINC.



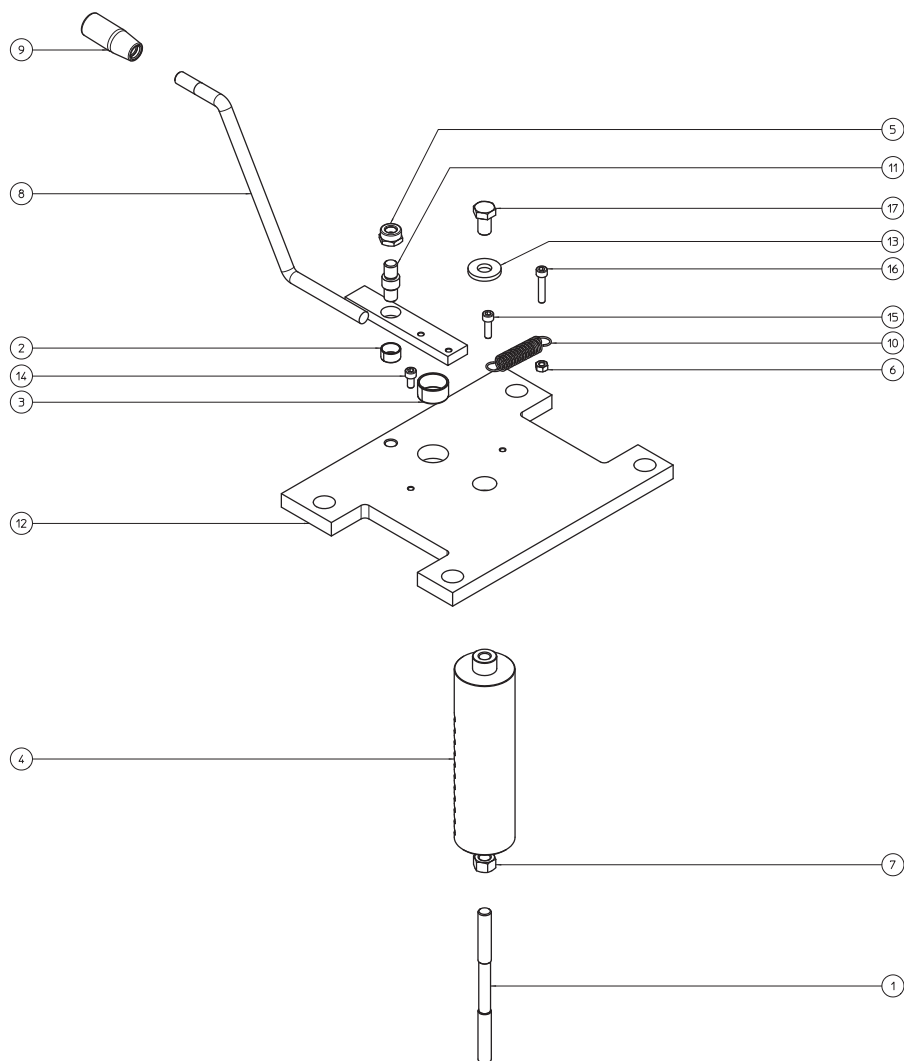
POSITION	QUANTITY	CODE	DESCRIPTION
1	2	20120296	REMOVABLE PANNEL
2	4	20120297	ANGULAR PANNEL
3	1	20120300	FIX LATERAL PANNEL
4	1	20120305	LATERAL PANNEL
5	1	20120340	LATERAL PANNEL
6	1	20120341	FRONT PANNEL
7	1	60850009	SERIGRAPHY



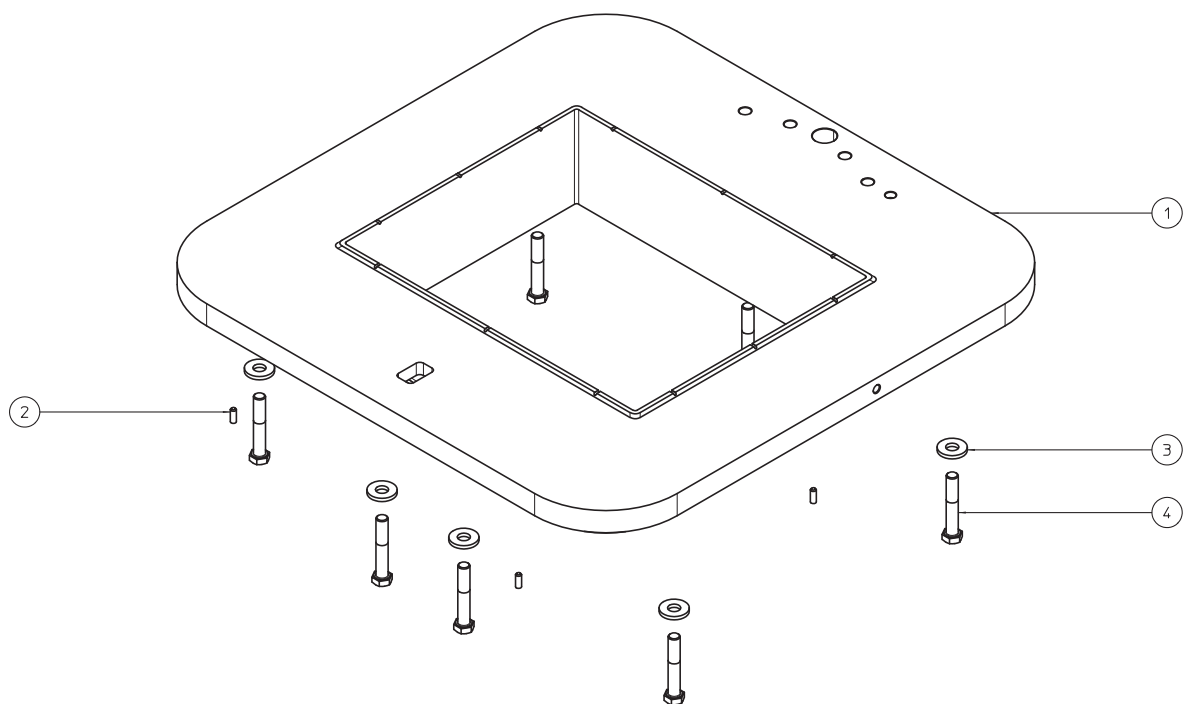


POSITION	QUANTITY	CODE	DESCRIPTION
1	2	22620825	KEY 8X7X25 mm
2	2	22620840	KEY 8X7X40 mm
3	2	30080801	SELFLOCKING NUT M8 ZINC.
4	1	37010812	SCREW STEI M8X12
5	1	40210003	GEAR M4 Z15
6	1	49411573	PRESSED/CUT PIN
7	1	59090824	WASHER D.8X24 SP. 4 ZINC.
8	2	59150816	WASHER D.8 ZINC.
9	8	59151020	WASHER D.10 ZINC.
10	1	60250002	PRESSED/CUT LEVER
11	1	62190205	FLANGE SUPPORT SBLF 205
12	2	62200001	FLANGE SUPPORT UCF 205
13	1	64920001	PLUG D. 30
14	2	69161030	SCREW TCEI M10X30 ZINC.
15	1	69200816	SCREW TE M8X16 ZINC.
16	8	69201030	SCREW TE M10X30 ZINC.

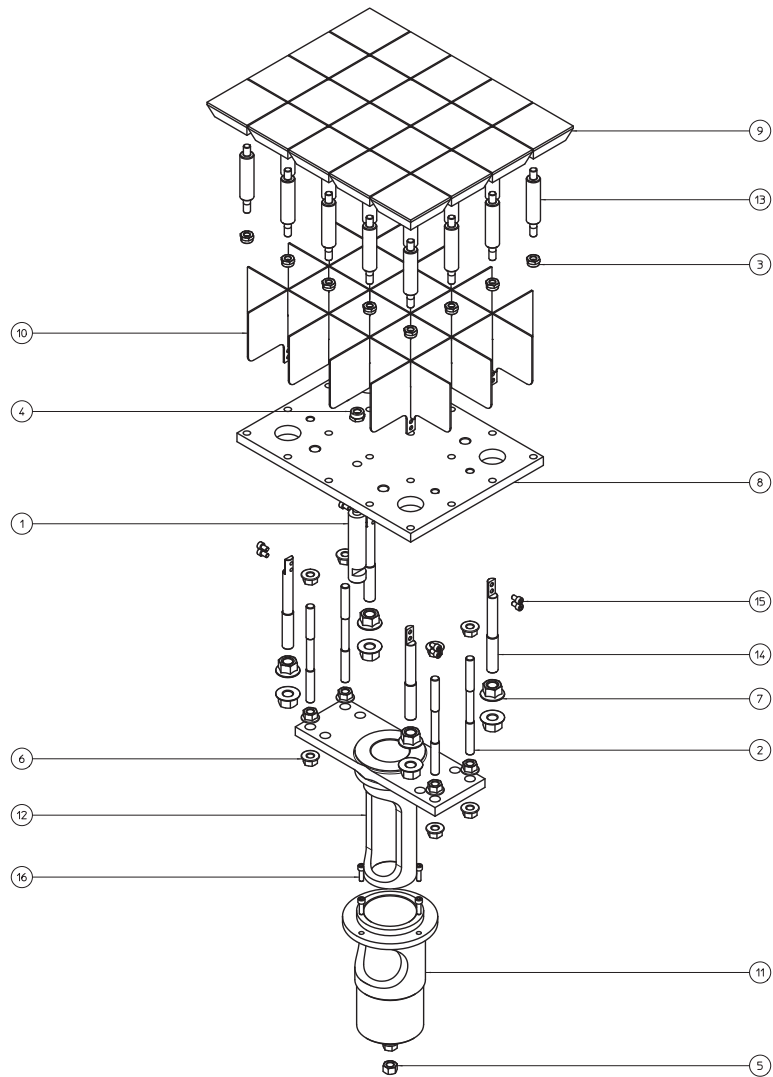
**20s/10s KNIFE SUPPORT PLATE GROUP COD. PT000006**



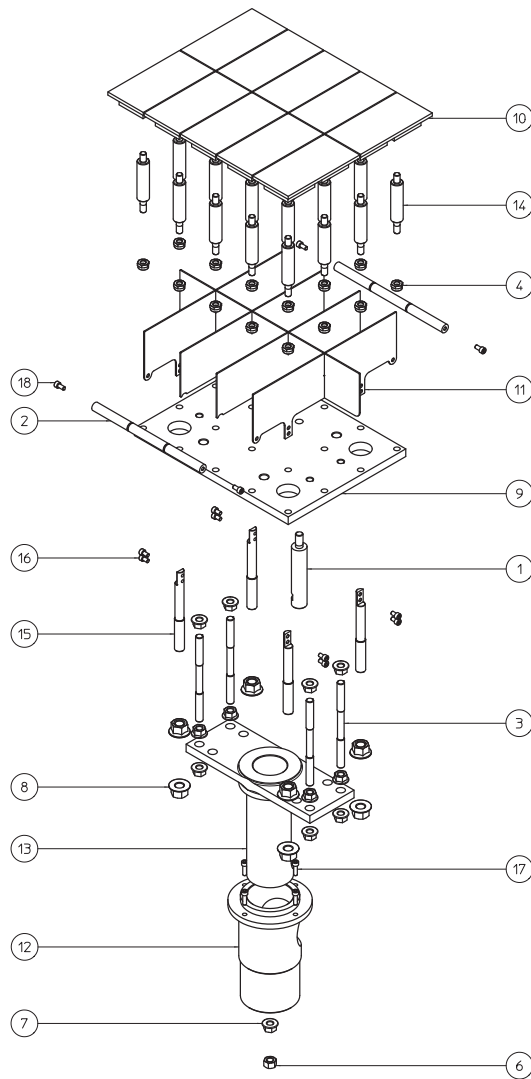
POSITION	QUANTITY	CODE	DESCRIPTION
1	1	14860007	PRESS SUPPORT PLATE GUIDE RODS
2	1	18061610	LATCH INSERT KU 16 10
3	1	18062515	LATCH INSERT KU 25 15
4	1	28850004	RACK SHAFT
5	1	30091201	SELFLOCKING NUT M10 ZINC.
6	1	30130601	NUT M6 ZINC.
7	1	30131201	NUT M12 ZINC.
8	1	42310030	CUTTING RELEASE LEVER
9	1	43710003	HANDLE
10	1	44830032	SPRING T32010
11	1	49410012	PIN SUPPORT
12	1	49420055	KNIFE SUPPORT PLATE
13	1	59091230	WASHER D.12X30 SP. 4 ZINC.
14	1	69160612	SCREW TCEI M6X12 ZINC.
15	1	69160620	SCREW TCEI M6X20 ZINC.
16	1	69160630	SCREW TCEI M6X30 ZINC.
17	1	69201220	SCREW TE M12X20 ZINC.



POSITION	QUANTITY	CODE	DESCRIPTION
1	1	35150006	RECTANGULAR SMALL BASIN
2	6	37040616	SCREW M06X16
3	8	59091230	WASHER D.12X30 SP. 4 ZINC.
4	8	69201270	SCREW M12X70 ZINC.

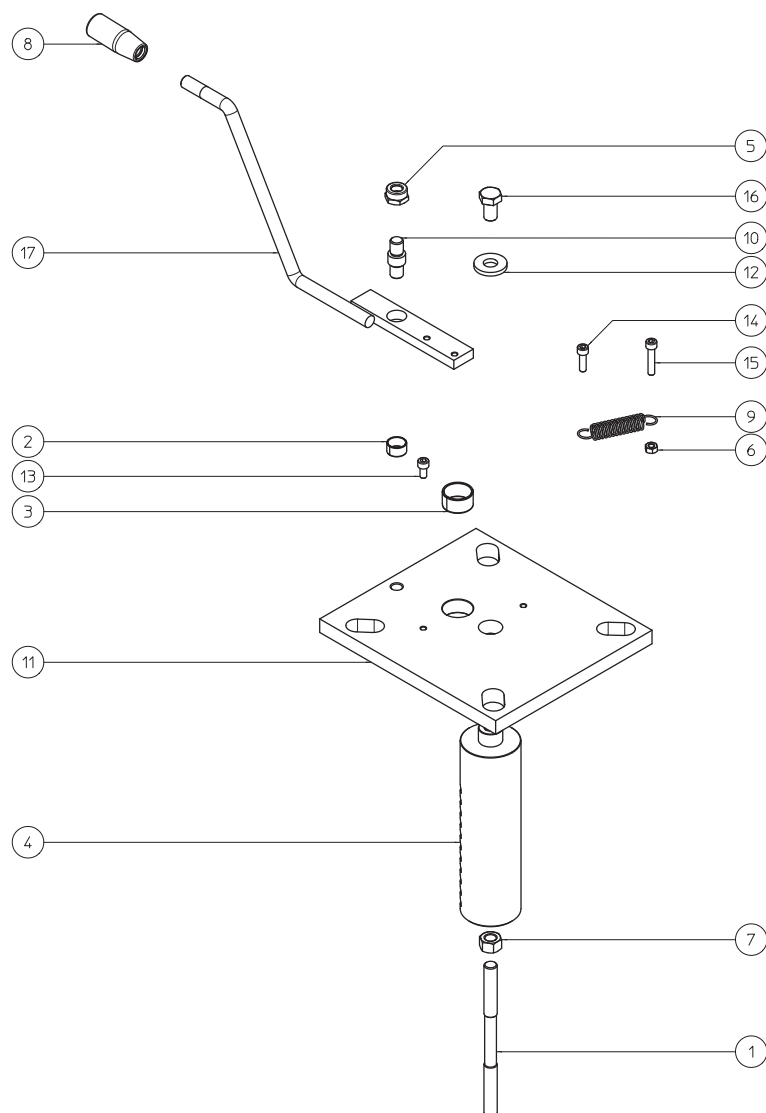


POSITION	QUANTITY	CODE	DESCRIPTION
1	1	14800009	AUCTION RELEASE CUT
2	4	14860007	PRESS SUPPORT PLATE GUIDE RODS
3	20	30091001	SELFLOCKING NUT M10 ZINC.
4	1	30091201	SELFLOCKING NUT M12 ZINC.
5	1	30131201	NUT M12 ZINC.
6	13	30191201	NUT M12 ZINC.
7	8	30191601	NUT M16 ZINC.
8	1	49420159	PRESS SUPPORT PLATE
9	20	52600004	PRESS PLATES
10	1	60040166	KNIFE
11	1	61900019	CENTRAL SUPPORT
12	1	61900026	SUPPORT COMMAND PRESSED
13	20	62000003	PRESS PLATE SUPPORT
14	4	65810015	CUTTING KNIFE SUPPORT SHAFTS
15	8	69160610	SCREW TCEI M6X10 ZINC.
16	4	69160620	SCREW TCEI M6X20 ZINC.

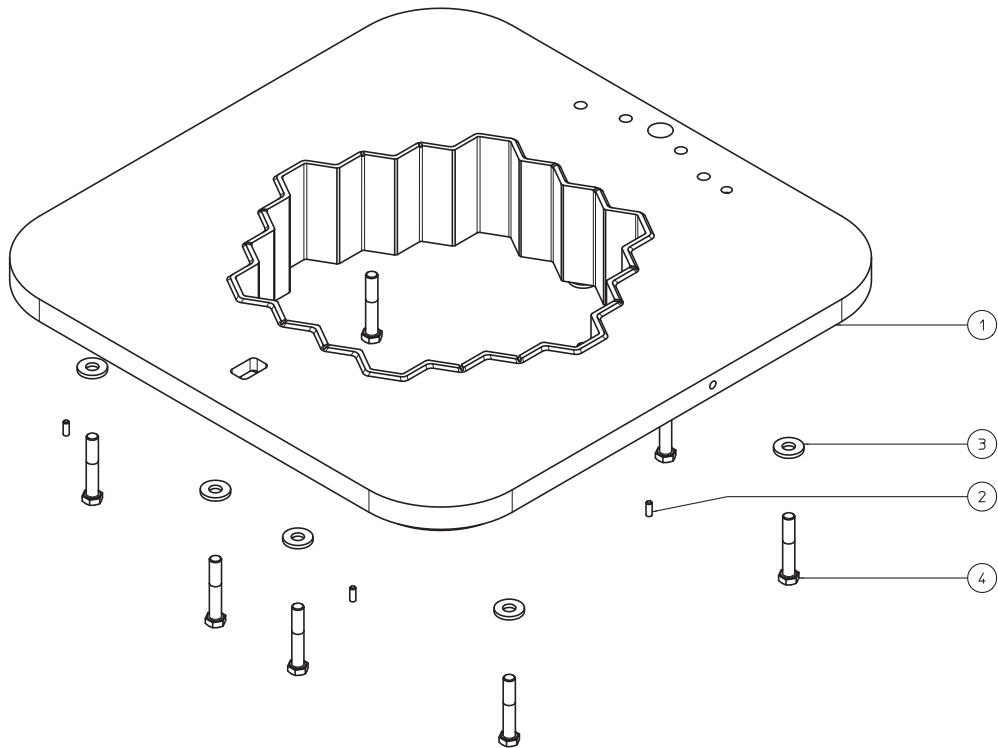


POSITION	QUANTITY	CODE	DESCRIPTION
1	1	14800009	AUCTION RELEASE CUT
2	2	14800017	ROD
3	4	14860007	PRESS SUPPORT PLATE GUIDE RODS
4	20	30091001	SELFLOCKING NUT M10 ZINC.
5	1	30091201	SELFLOCKING NUT M12 ZINC.
6	1	30131201	NUT M12 ZINC.
7	13	30191201	NUT M12 ZINC.
8	8	30191601	NUT M16 ZINC.
9	1	49420159	PRESS SUPPORT PLATE
10	10	52600021	PRESS PLATES
11	1	60040168	KNIFE
12	1	61900019	CENTRAL SUPPORT
13	1	61900026	SUPPORT COMMAND PRESSED
14	20	62000003	PRESS PLATE SUPPORT
15	4	65810015	CUTTING KNIFE SUPPORT SHAFTS
16	8	69160610	SCREW TCEI M6X10 ZINC.
17	4	69160620	SCREW TCEI M6X20 ZINC.
18	4	69280612	SCREW TCEI M6X12 INOX

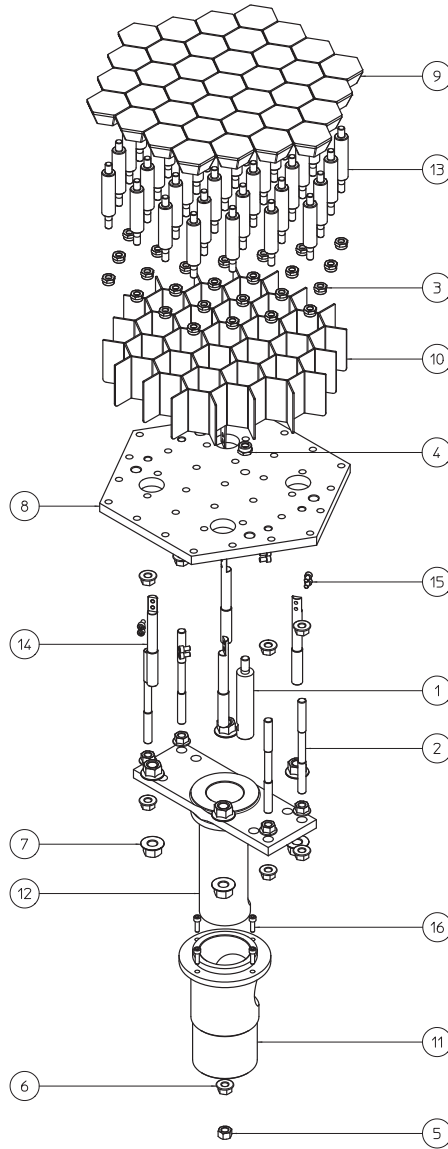
37/57 - 37/65 KNIFE SUPPORT PLATE GROUP **COD. PT000004**



POSITION	QUANTITY	CODE	DESCRIPTION
1	1	14860007	PRESS SUPPORT PLATE GUIDE RODS
2	1	18061610	LATCH INSERT KU 16 10
3	1	18062515	LATCH INSERT KU 25 15
4	1	28850004	RACK SHAFT
5	1	30091201	SELFLOCKING NUT M10 ZINC.
6	1	30130601	NUT M6 ZINC.
7	1	30131201	NUT M12 ZINC.
8	1	43710003	HANDLE
9	1	44830032	SPRING T32010
10	1	49410012	PIN SUPPORT
11	1	49420142	KNIFE SUPPORT PLATE
12	1	59091230	WASHER D.12X30 SP. 4 ZINC.
13	1	69160612	SCREW TCEI M6X12 ZINC.
14	1	69160620	SCREW TCEI M6X20 ZINC.
15	1	69160630	SCREW TCEI M6X30 ZINC.
16	1	69201220	SCREW TE M12X20 ZINC.
17	1	42310030	CUTTING RELEASE LEVER

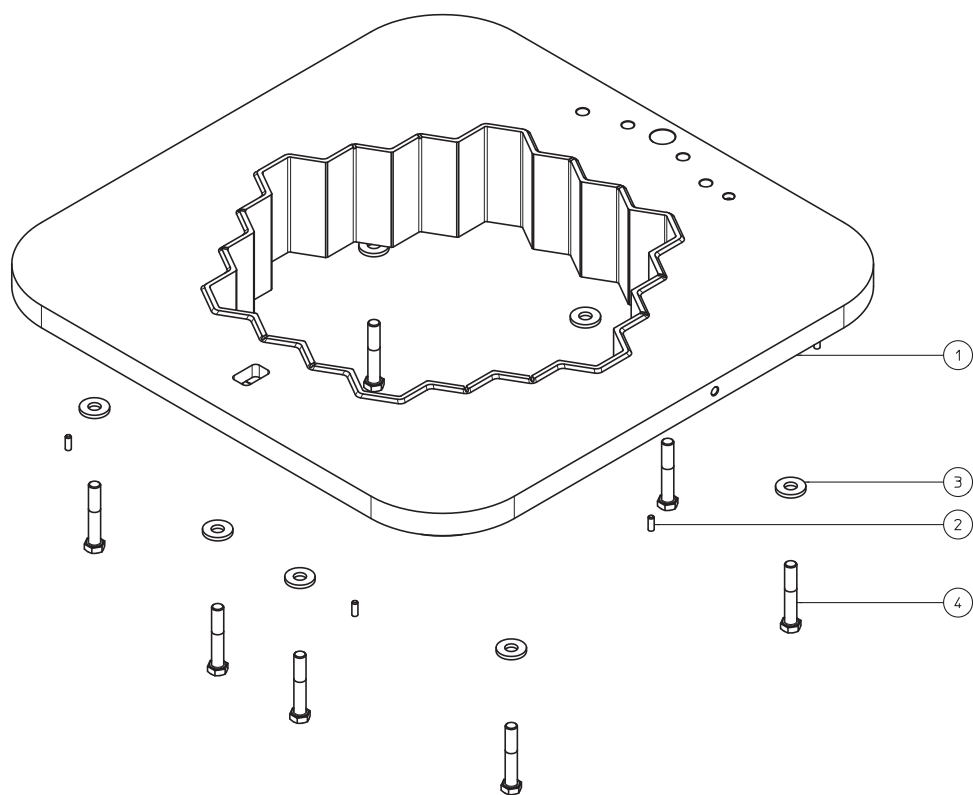


POSITION	QUANTITY	CODE	DESCRIPTION
1	1	35150010	EXAGONAL BASIN
2	6	37040616	SCREW M06X16
3	8	59091230	WASHER D.12X30 SP. 4 ZINC.
4	8	69201270	SCREW M12X70 ZINC.

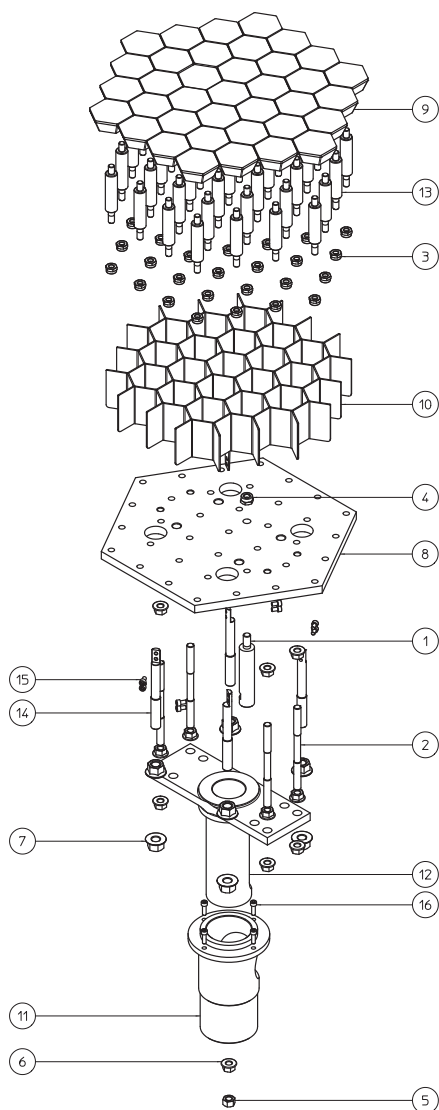


POSITION	QUANTITY	CODE	DESCRIPTION
1	1	14800009	AUCTION RELEASE CUT
2	4	14860007	PRESS SUPPORT PLATE GUIDE RODS
3	37	30091001	SELFLOCKING NUT M10 ZINC.
4	1	30091201	SELFLOCKING NUT M12 ZINC.
5	1	30131201	NUT M12 ZINC.
6	13	30191201	NUT M12 ZINC.
7	8	30191601	NUT M16 ZINC.
8	1	49420143	PRESS SUPPORT
9	37	52600037	PRESS PLATES
10	1	60040154	KNIFE
11	1	61900019	CENTRAL SUPPORT
12	1	61900026	SUPPORT COMMAND PRESSED
13	37	62000003	PRESS PLATE SUPPORT
14	4	65810015	CUTTING KNIFE SUPPORT SHAFTS
15	8	69160610	SCREW TCEI M6X10 ZINC.

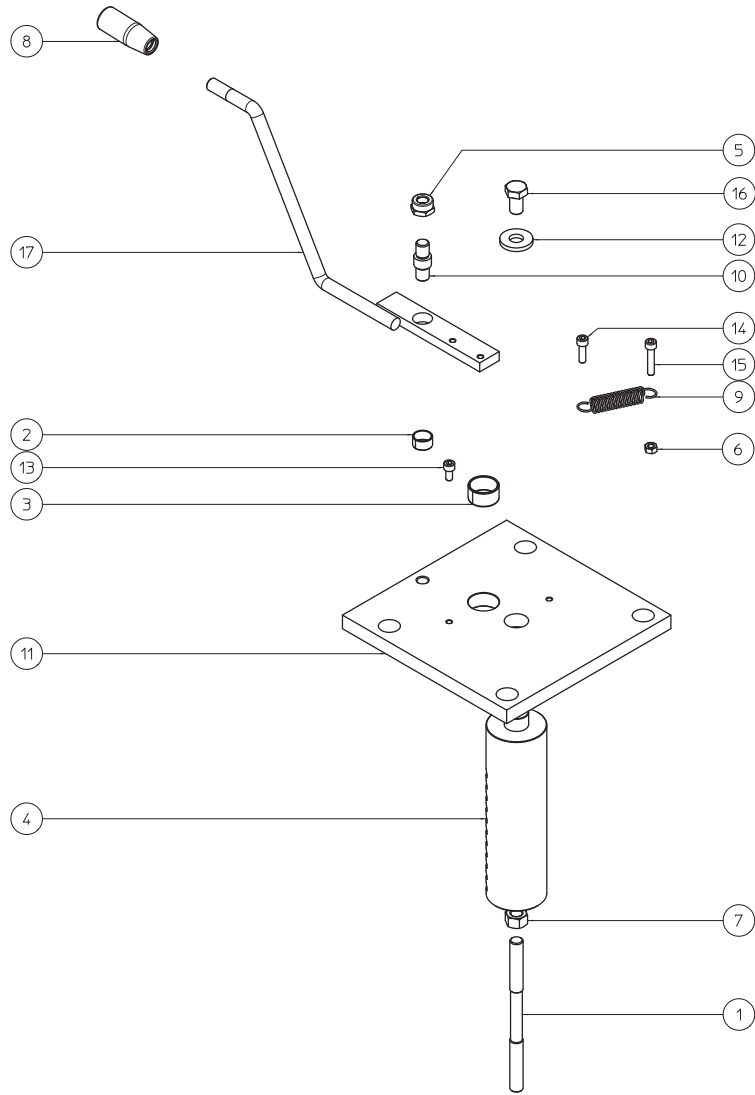




POSITION	QUANTITY	CODE	DESCRIPTION
1	1	35150009	EXAGONAL BASIN
2	6	37040616	SCREW M06X16
3	8	59091230	WASHER D.12X30 SP. 4 ZINC.
4	8	69201270	SCREW M12X70 ZINC.



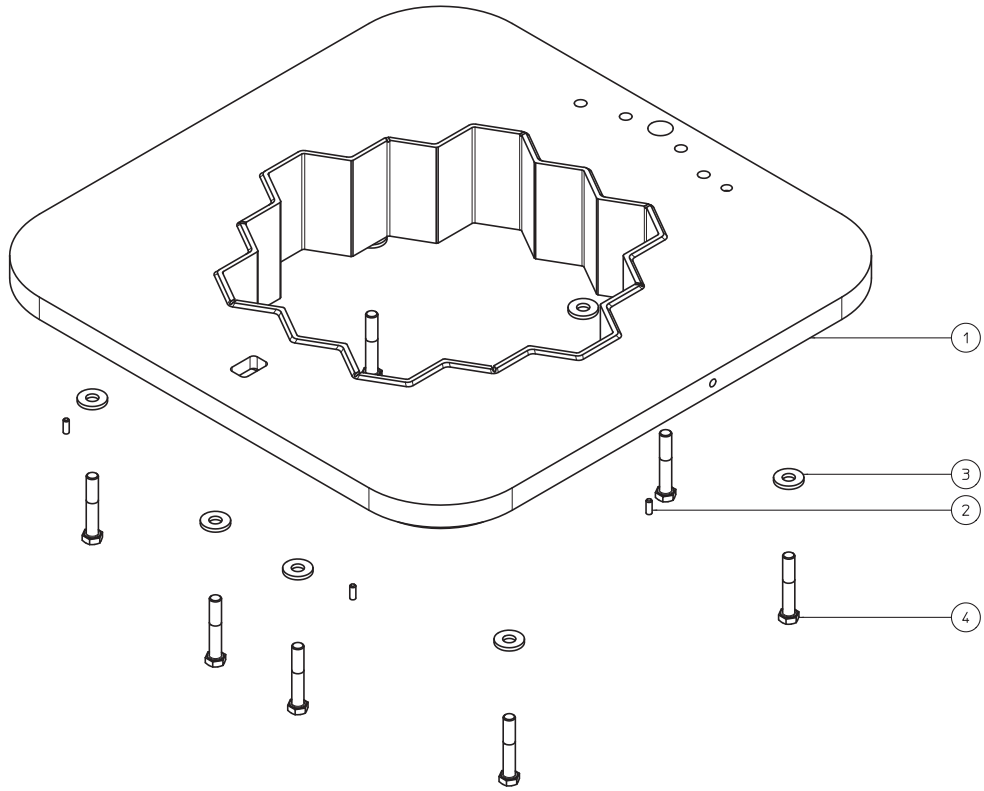
POSITION	QUANTITY	CODE	DESCRIPTION
1	1	14800009	AUCTION RELEASE CUT
2	4	14860007	PRESS SUPPORT PLATE GUIDE RODS
3	37	30091001	SELFLOCKING NUT M10 ZINC.
4	1	30091201	SELFLOCKING NUT M12 ZINC.
5	1	30131201	NUT M12 ZINC.
6	13	30191201	NUT M12 ZINC.
7	8	30191601	NUT M16 ZINC.
8	1	49420113	PRESS SUPPORT
9	37	52600031	PRESS PLATES
10	1	60040157	KNIFE
11	1	61900019	CENTRAL SUPPORT
12	1	61900026	SUPPORT COMMAND PRESSED
13	37	62000003	PRESS PLATE SUPPORT
14	4	65810015	CUTTING KNIFE SUPPORT SHAFTS
15	8	69160610	SCREW TCEI M6X10 ZINC.
16	4	69160620	SCREW TCEI M6X20 ZINC.



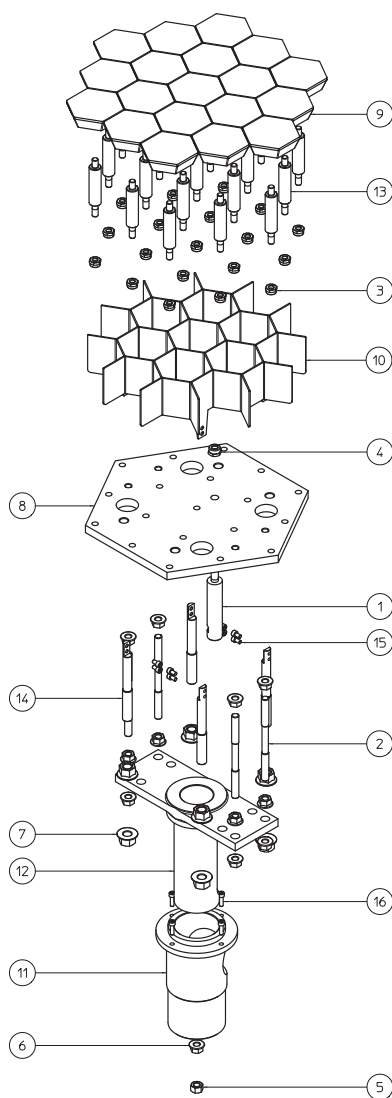
POSITION	QUANTITY	CODE	DESCRIPTION
1	1	14860007	PRESS SUPPORT PLATE GUIDE RODS
2	1	18061610	LATCH INSERT KU 16 10
3	1	18062515	LATCH INSERT KU 25 15
4	1	28850004	RACK SHAFT
5	1	30091201	SELFLOCKING NUT M10 ZINC.
6	1	30130601	NUT M6 ZINC.
7	1	30131201	NUT M12 ZINC.
8	1	43710003	HANDLE
9	1	44830032	SPRING T32010
10	1	49410012	PIN SUPPORT
11	1	49420152	KNIFE SUPPORT PLATE
12	1	59091230	WASHER D.12X30 SP. 4 ZINC.
13	1	69160612	SCREW TCEI M6X12 ZINC.
14	1	69160620	SCREW TCEI M6X20 ZINC.
15	1	69160630	SCREW TCEI M6X30 ZINC.
16	1	69201220	SCREW TE M12X20 ZINC.
17	1	42310030	CUTTING RELEASE LEVER



HEXAGONAL BASIN 19/85 GROUP **COD. VS000010**

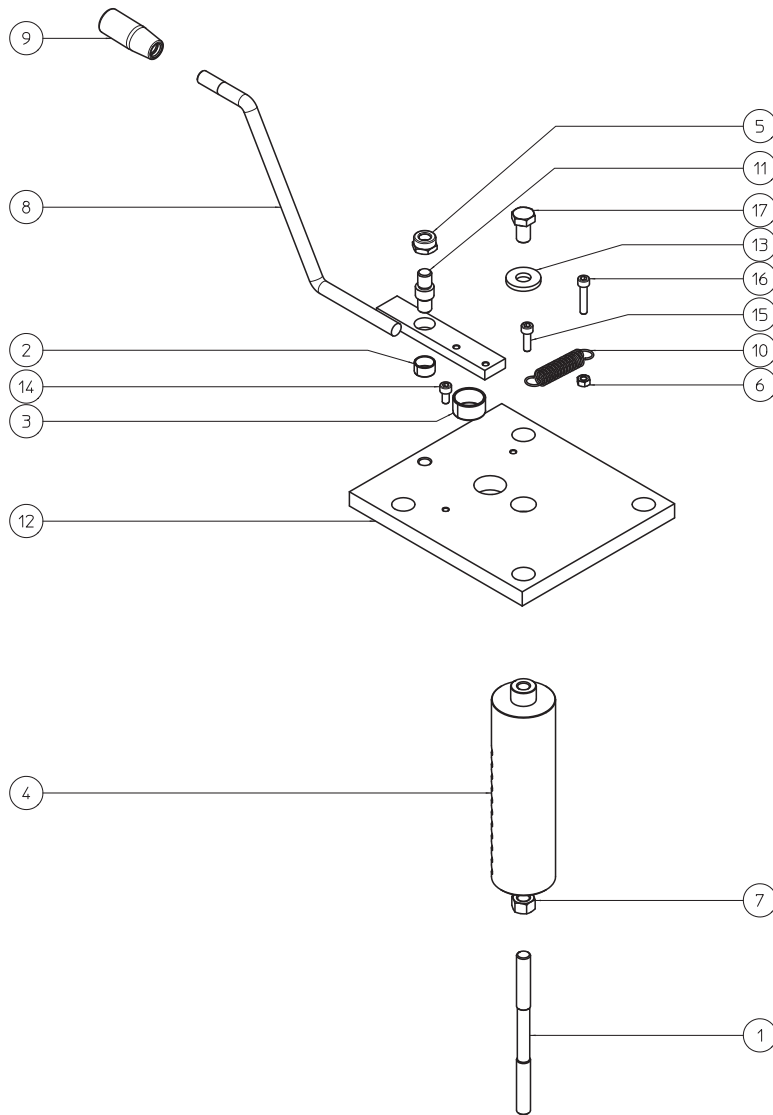


POSITION	QUANTITY	CODE	DESCRIPTION
1	1	35150009	HEXAGONAL BASIN
2	6	37040616	SCREW M06X16
3	8	59091230	WASHER D.12X30 SP. 4 ZINC.
4	8	69201270	SCREW M12X70 ZINC.

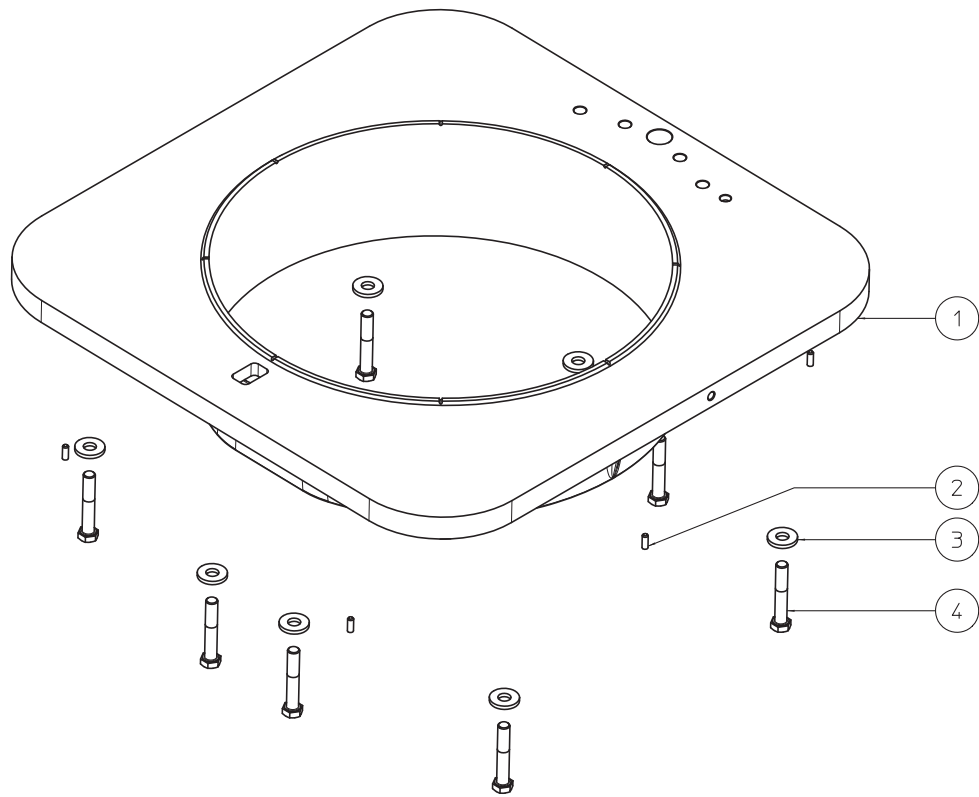


POSITION	QUANTITY	CODE	DESCRIPTION
1	1	14800009	ASTA SGANCIO TAGLIO
2	4	14860007	TIRANTE PRESSATA M12 L=175 ZINCATO
3	19	30091001	DADO AUTOBLOCCANTE BASSO M10 ZINC.
4	1	30091201	DADO AUTOBLOCCANTE BASSO M12 ZINC.
5	1	30131201	DADO ESAGONALE M12 ZINC. MEDIO
6	13	30191201	DADO ESAGONALE FLANGIATO LISCIO M12 ZINC.
7	8	30191601	DADO ESAGONALE FLANGIATO LISCIO M16 ZINC.
8	1	49420149	PIASTRA PORTA PRESSINI
9	19	52600040	PRESSINO AC 85
10	1	60040160	COLTELLO 19 DIV. AC85
11	1	61900019	SUPPORTO CENTRALE
12	1	61900026	SUPPORTO COMANDO PRESSATA
13	19	62000003	SUPPORTO PER PRESSINO D.20 L=74 MM
14	4	65810015	TIRANTE COLTELLO
15	8	69160610	VITE TCEI M6X10 ZINC.
16	4	69160620	VITE TCEI M6X20 ZINC.

20s KNIFE SUPPORT PLATE GROUP **COD. PT000007**

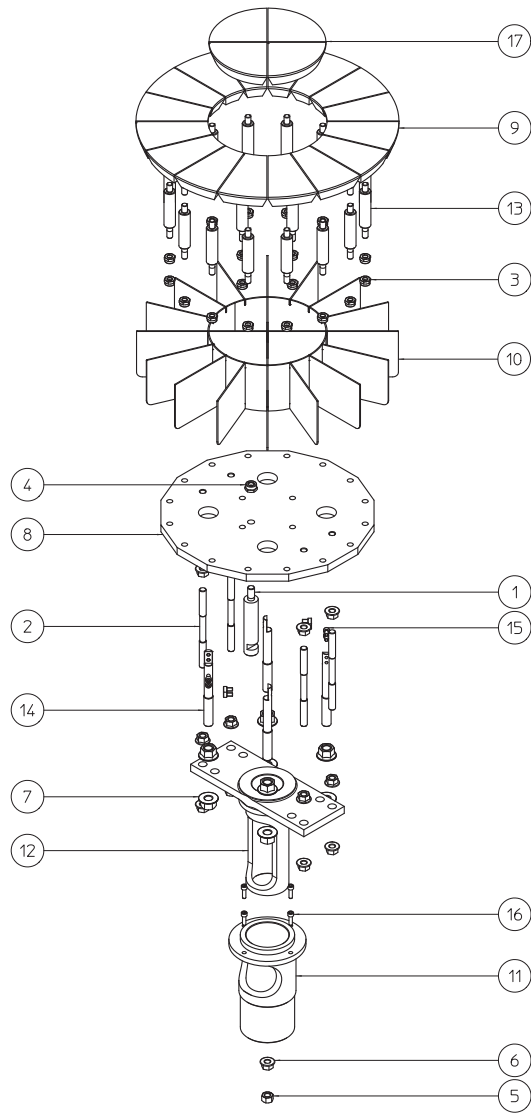


POSITION	QUANTITY	CODE	DESCRIPTION
1	1	14860007	PRESS SUPPORT PLATE GUIDE RODS
2	1	18061610	LATCH INSERT KU 16 10
3	1	18062515	LATCH INSERT KU 25 15
4	1	28850004	RACK SHAFT
5	1	30091201	SELFLOCKING NUT M10 ZINC.
6	1	30130601	NUT M6 ZINC.
7	1	30131201	NUT M12 ZINC.
8	1	42310030	CUTTING RELEASE LEVER
9	1	43710003	HANDLE
10	1	44830032	SPRING T32010
11	1	49410012	PIN SUPPORT
12	1	49420163	KNIFE SUPPORT PLATE
13	1	59091230	WASHER D.12X30 SP. 4 ZINC.
14	1	69160612	SCREW TCEI M6X12 ZINC.
15	1	69160620	SCREW TCEI M6X20 ZINC.
16	1	69160630	SCREW TCEI M6X30 ZINC.
17	1	69201220	SCREW TE M12X20 ZINC.



POSITION	QUANTITY	CODE	DESCRIPTION
1	1	35150007	ROUND BASIN
2	6	37040616	SCREW M06X16
3	8	59091230	WASHER D.12X30 SP. 4 ZINC.
4	8	69201270	SCREW M12X70 ZINC.

20s DIVISIONS KNIFE GROUP **COD. TG000042**



POSITION	QUANTITY	CODE	DESCRIPTION
1	1	14800009	AUCTION RELEASE CUT
2	4	14860007	PRESS SUPPORT PLATE GUIDE RODS
3	20	30091001	SELFLOCKING NUT M10 ZINC.
4	1	30091201	SELFLOCKING NUT M12 ZINC.
5	1	30131201	NUT M12 ZINC.
6	13	30191201	NUT M12 ZINC.
7	8	30191601	NUT M16 ZINC.
8	1	49420162	PRESS SUPPORT
9	16	52600033	PRESS PLATES
10	1	60040169	KNIFE
11	1	61900019	CENTRAL SUPPORT
12	1	61900026	SUPPORT COMMAND PRESSED
13	20	62000003	PRESS PLATE SUPPORT
14	4	65810015	CUTTING KNIFE SUPPORT SHAFTS
15	8	69160610	SCREW TCEI M6X10 ZINC.
16	4	69160620	SCREW TCEI M6X20 ZINC.
17	4	52600032	PRESS PLATES







All machines are in conformity with EC regulations and are manufactured in Italy.