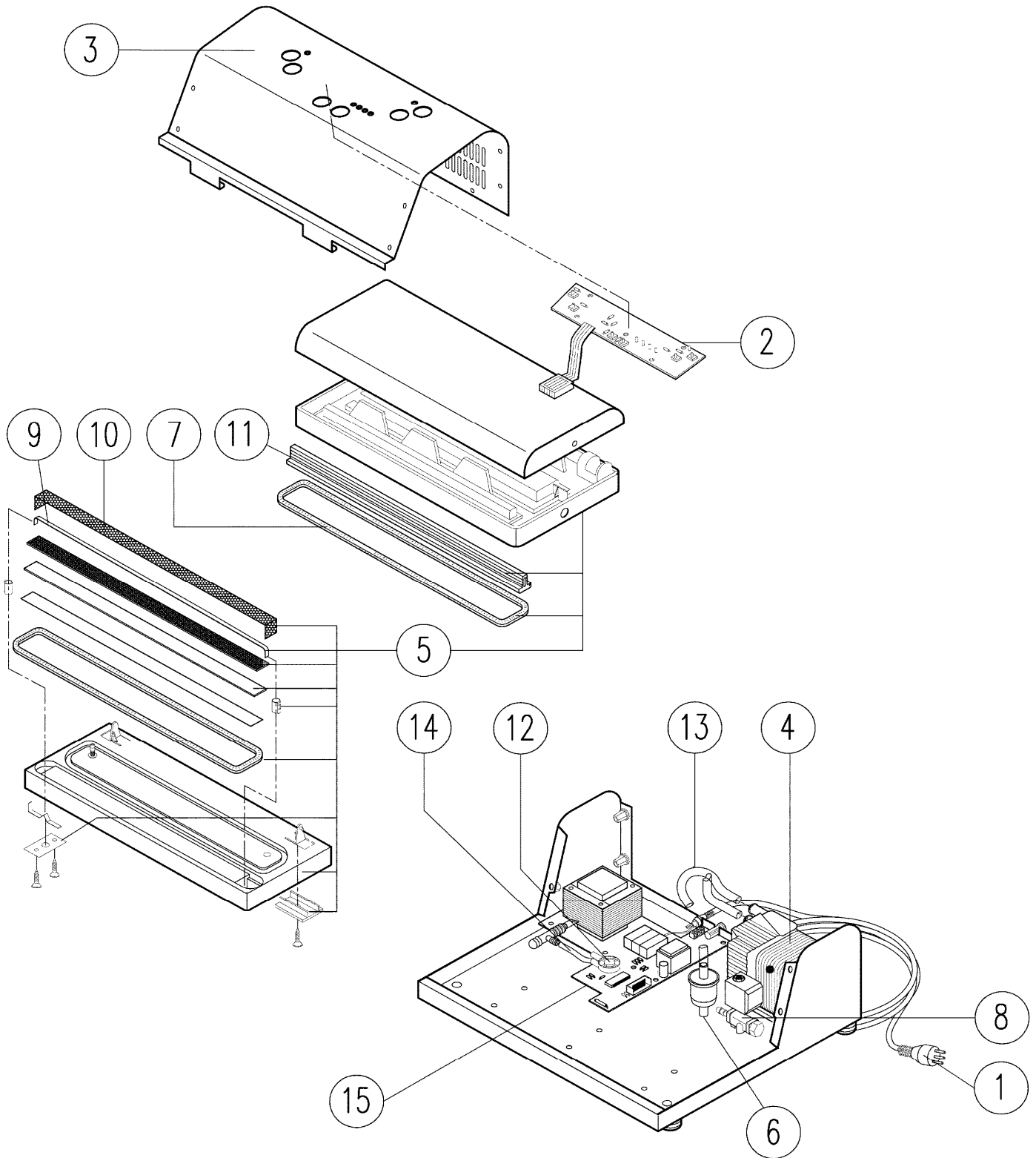


SPARE PARTS LIST



SPARE PARTS LIST

SPARE PARTS LIST LEVAC3 (AVM3)					
No. Part	Code Part	Description	Validity start date	Validity end date	Notes
1	1603292	POWER CABLE 3X1X3000 SHUKO EUR	01/01/1900	31/12/2099	230V
1	1604049	POWER CABLE 3X1X3000 AI111 USA	01/01/1900	31/12/2099	110V
2	1602635	COMMAND BOARD OR-120	01/01/1900	31/12/2099	
3	1602494	CONTROLS STICKER LEVAC 3	01/01/1900	31/12/2099	
4	1601819	VACUUM PUMP EPV30 230V/50HZ MA-VIB	01/01/1900	31/12/2099	230V
4	1602579	VACUUM PUMP EPV30 110V/60HZ MA-VIB	01/01/1900	31/12/2099	110V
5	1602717	UPPER AND LOWER BODY FOR INOX MAE R=3X0.1 MM	01/01/1900	31/12/2099	
6	1601815	VACUUM PUMP EXHAUST FILTER CP30/EVP30	01/01/1900	31/12/2099	
7	1604002	SILICONE RUBBER (2 PCS) MAE	04/01/1900	31/12/2099	
8	1604058	SOLENOID VALVE 1/8" FF D2 NBR 110V -UL-	01/01/1900	31/12/2099	110V
8	1604059	SOLENOID VALVE 1/8" FF D2 NBR 230V	04/01/1900	31/12/2099	230V
9	1603686	FLAT SEALING WIRE 3X0.1 (1 MT)	04/01/1900	31/12/2099	
10	1604345	BLACK TEFLON BAND 22MM (1 MT)	04/01/1900	31/12/2099	
11	1604003	"T" SILICONE RUBBER L=314MM	04/01/1900	31/12/2099	
12	1604082	VACUUM SENSOR SIGNAL LUX 693MBAR	01/01/1900	31/12/2099	
13	1604409	D=6X9 HOSE (5 MT)	04/01/1900	31/12/2099	
14	1604408	D=4X6 HOSE (5 MT)	04/01/1900	31/12/2099	
15	1602440	POWER BOARD L083_B_00 110V	01/01/1900	31/12/2099	110V
15	1602439	POWER BOARD L083_A_00 230V VAC. FAMILY/LEVAC3	01/01/1900	31/12/2099	230V